



晃誼科技股份有限公司

UANGYIH-TECH INDUSTRIAL CO., LTD

台北市基隆路二段 51 號 17 樓之 2
17F-2, No.51, SEC.2 Keelung Rd.,
Taipei 110, Taiwan
TEL:+886(0)2-2733-3571
FAX:+886(0)2-2735-6001



Uangyih-tech Industrial Co., Ltd

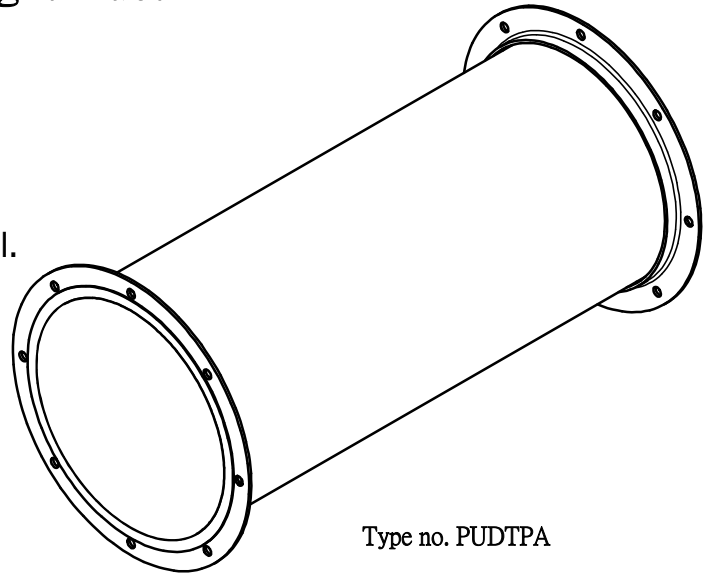
Duct Catalog

REV:2023-01-17

Straight Duct

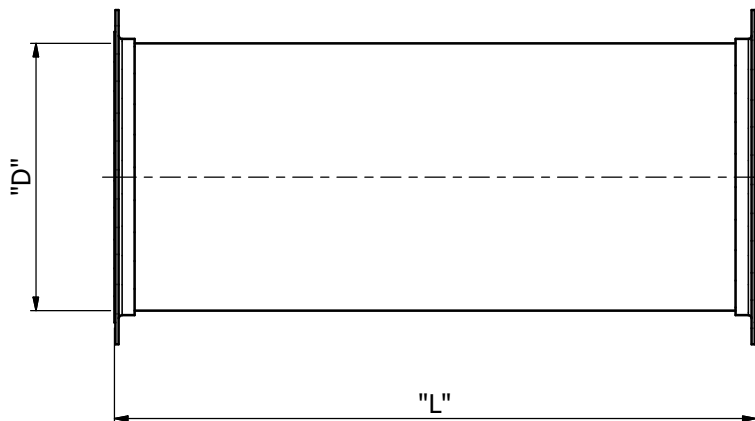
OPTIONS:

- Custom lengths available.
- Duct greater than 2100 diameter requires Uangyih-tech Engineering review and approval.
- Refer to Uangyih-tech Flanges System section for adapters, drains and test port
- Raw end available.
- PSP duct.
- Not coated duct.



Type no. PUDTPA

WITH ANGLE RINGS (AVAILABLE 100 - 3000)



STANDARD LENGTHS("L")

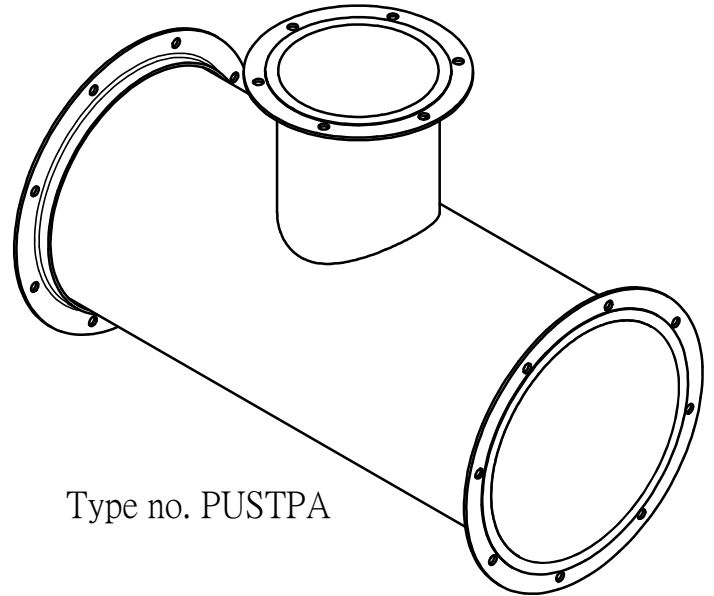
DIAMETER	"L"
100 TO 450	1200
500 TO 3000	2400

DUCT & FITTINGS

Straight Duct with Straight Tap

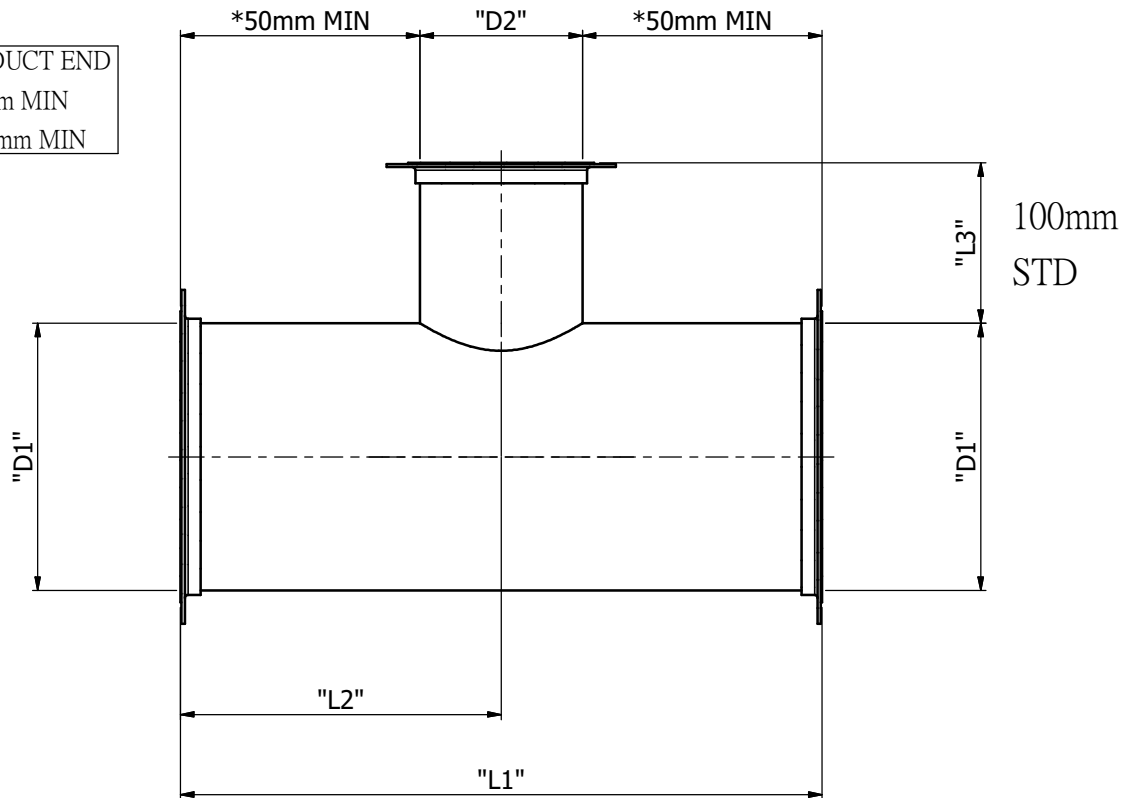
OPTIONS:

- Custom lengths available.
- Duct greater than 2100 diameter requires Uangyih-tech Engineering review and approval.
- Multiple and offset taps available
- Raw end available.
- PSP duct.
- Not coated duct.



WITH ANGLE RINGS (AVAILABLE 100 - 3000)

*MIN DISTANCE TO DUCT END
 "D1"= 100 - 1450 : 50mm MIN
 "D1"=1500 - 3000 : 100mm MIN



STANDARD LENGHTS ("L")

DIAMETER	"L"
100 TO 450	1200
500 TO 3000	2400

STRAIGHT TAP

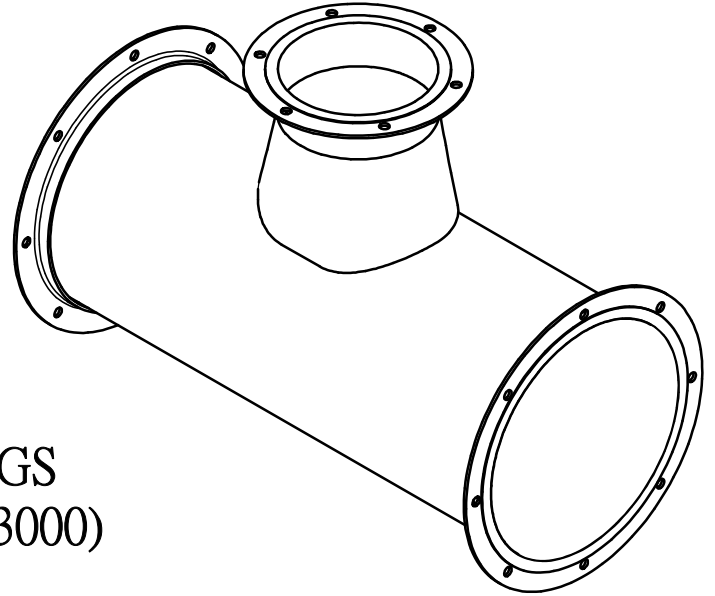
"L1" MIN = "D2"+100mm
 "L1" MAX = 2400mm
 "D2" MAX = 2200

DUCT & FITTINGS

Straight Duct with Conical Tap

OPTIONS:

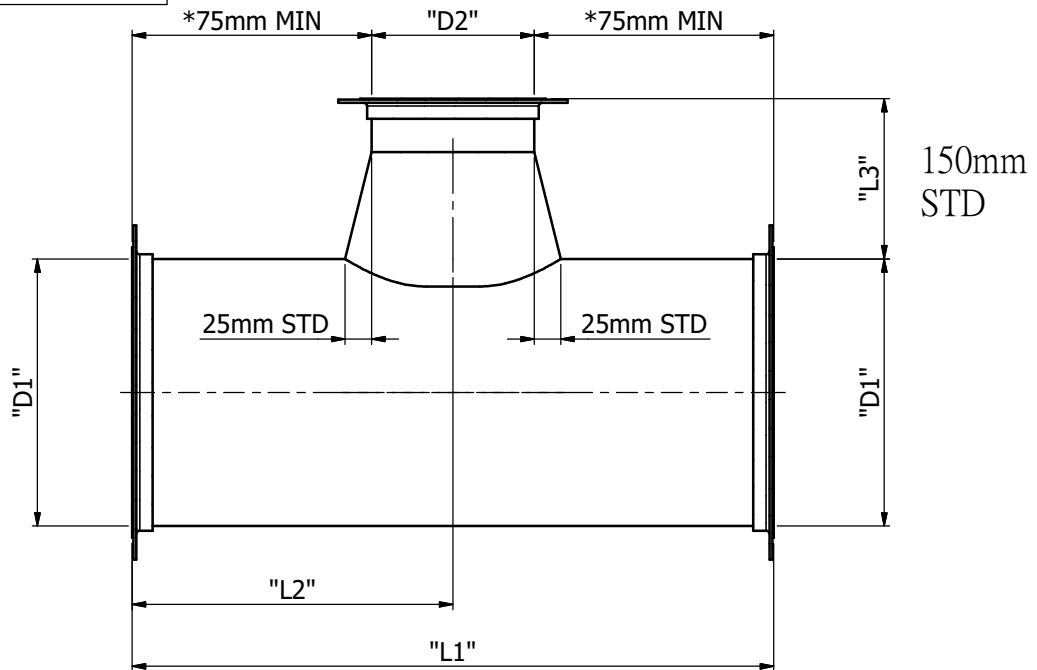
- Custom lengths available.
- Duct greater than 2100 diameter requires Uangyih-tech Engineering review and approval.
- Multiple and offset taps available
- Raw end available.
- PSP duct.
- Not coated duct.



WITH ANGLE RINGS
(AVAILABLE 100 - 3000)

Type no. PUCTPA

*MIN DISTANCE TO DUCT END
"D1"= 100 - 1450 : 75mm MIN
"D1"=1500 - 3000 : 125mm MIN



STANDARD LENGHTS ("L")

DIAMETER	"L"
100 TO 450	1200
500 TO 3000	2400

CONICAL TAP

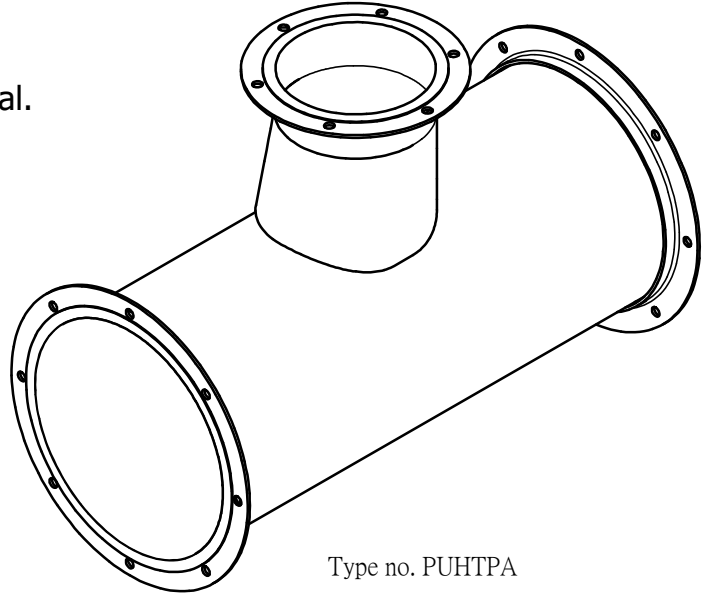
"L1" MIN = "D2"+150mm
"L1" MAX = 2400mm
"D2" MAX = 2100mm

DUCT & FITTINGS

Straight Duct with Shoe Tap

OPTIONS:

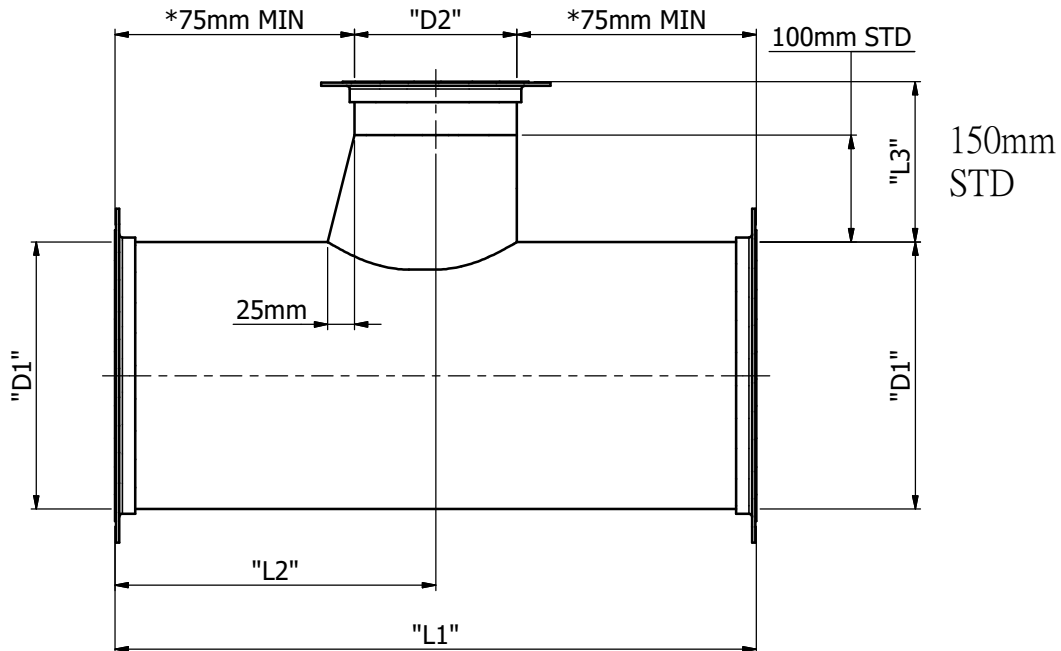
- Custom lengths available.
- Duct greater than 2100 diameter requires Uangyih-tech Engineering review and approval.
- Multiple and offset taps available
- Raw end available.
- PSP duct.
- Not coated duct.



Type no. PUHTPA

**WITH ANGLE RINGS
(AVAILABLE 100 - 3000)**

*MIN DISTANCE TO DUCT END
 "D1"= 100 - 1450 : 75mm MIN
 "D1"=1500 - 3000 : 125mm MIN



STANDARD LENGHTS ("L")

DIAMETER	"L"
100 TO 450	1200
500 TO 3000	2400

Shoe TAP

"L1" MIN = "D2"+150mm

"L1" MAX = 2400mm

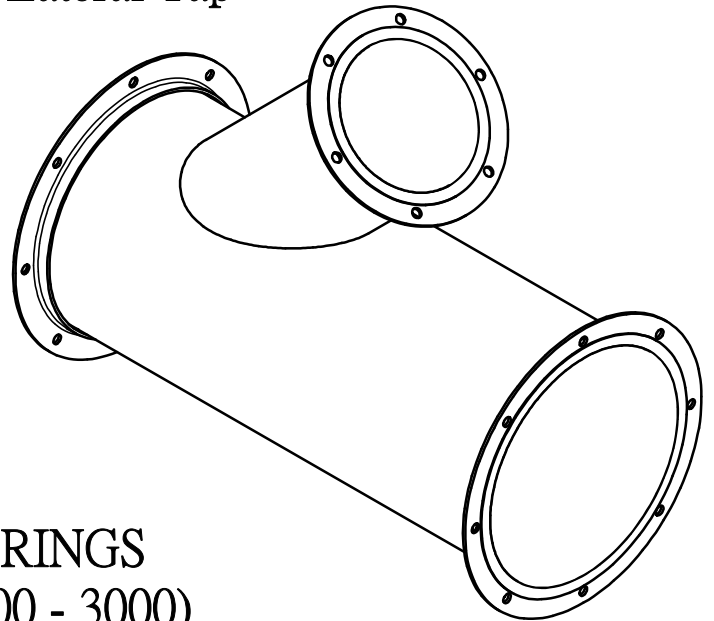
"D2" MAX = 2150mm

DUCT & FITTINGS

Straight Duct with Lateral Tap

OPTIONS:

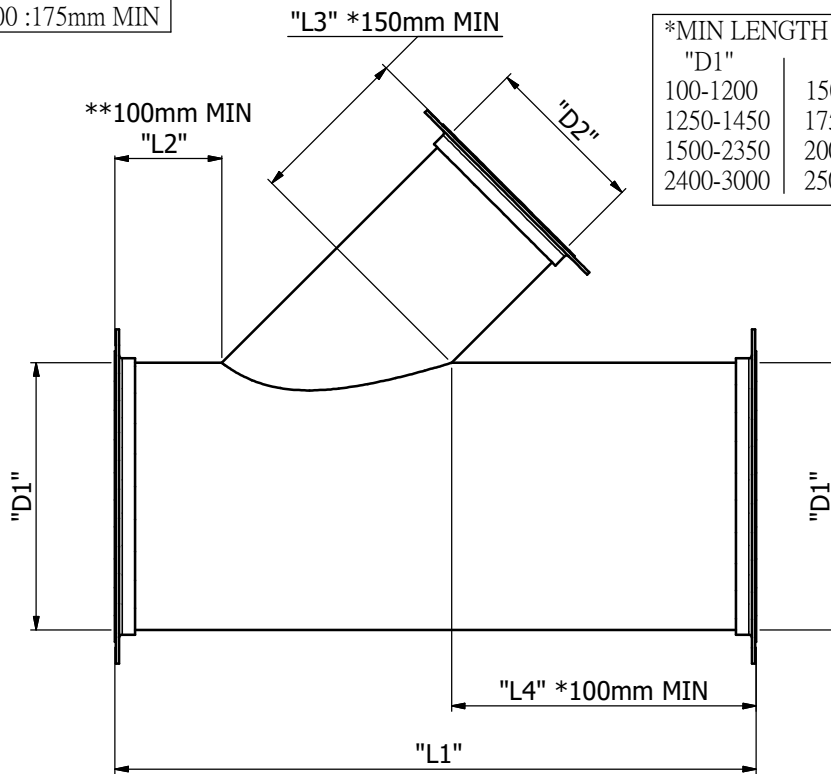
- Custom lengths available.
- Duct greater than 2100 diameter requires Uangyih-tech Engineering review and approval.
- Multiple and offset taps available
- Raw end available.
- PSP duct.
- Not coated duct.



Type no. PUYTPA

WITH ANGLE RINGS (AVAILABLE 100 - 3000)

**L2 MIN DISTANCE
 "D1"= 100 - 2350 : 100mm MIN
 "D1"=2400 - 3000 :175mm MIN



*MIN LENGTH FOR "L3" AND "L4"		
"D1"	"L3"	"L4"
100-1200	150mm MIN	100mm MIN
1250-1450	175mm MIN	100mm MIN
1500-2350	200mm MIN	125mm MIN
2400-3000	250mm MIN	150mm MIN

STANDARD LENGHTS ("L")

DIAMETER	"L"
100 TO 450	1200
500 TO 3000	2400

45° LATERAL TAP

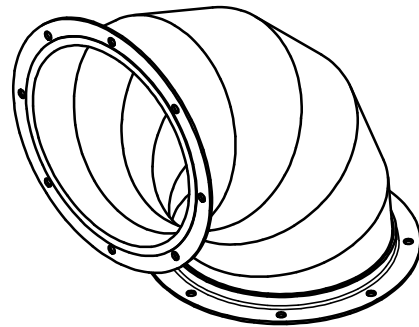
"L1" MIN = ("D2" x 1.414)+100mm+"L4"
 "L1" MAX = 2400mm
 "D2" MAX = 1500

DUCT & FITTINGS

OPTIONS:

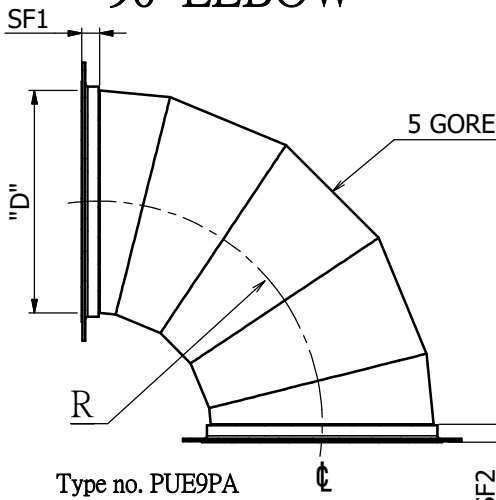
Gored Elbow

- Standard gores and radii are shown, custom number of gores, custom radii, and throat extensions are available.
- Duct greater than 2100 diameter requires Uangyih-tech Engineering review and approval.
- PSP duct.
- Not coated duct.



WITH ANGLE RINGS
(AVAILABLE 100 - 3000)

90° ELBOW



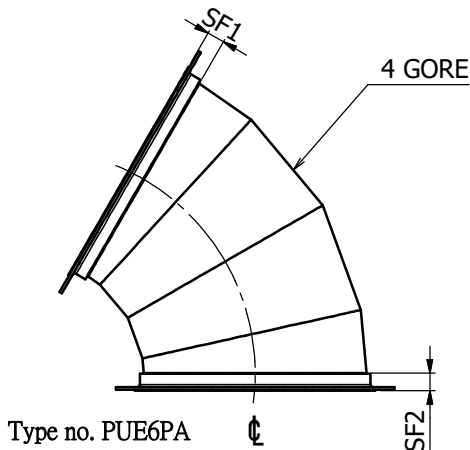
STANDARD RADIUS AT THE DUCT CENTERLINE

"R" = 1.5 x "D" OR "R" = 1 x "D"

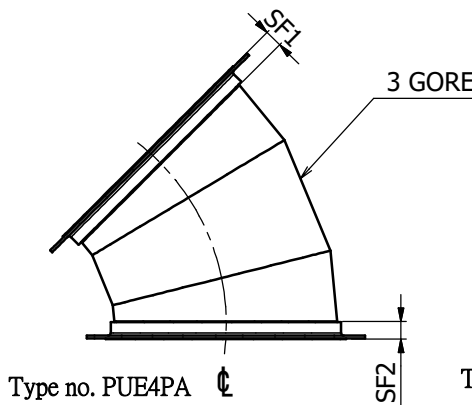
FOR CONTAINER SHIPMENT, LARGE ELBOWS UNDER THESE LIMITS WILL BE MANUFACTURED INTO SMALLER PIECES.

90° ELBOW GREATER THAN 1500 DIA. (D > Ø1500)
 60° ELBOW GREATER THAN 2050 DIA. (D > Ø2050)
 45° ELBOW GREATER THAN 2650 DIA. (D > Ø2650)

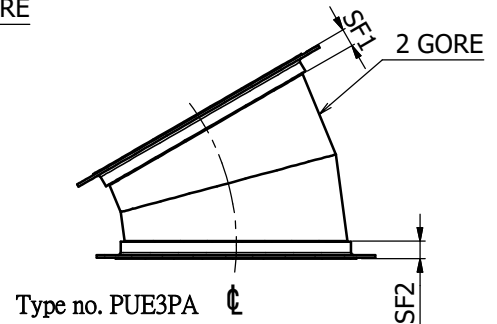
LARGE ELBOWS ABOVE THESE LIMITS WILL BE MANUFACTURED AS SMALLER FITTINGS.
EXAMPLE: AN 2150 DIA. 90° ELBOW WILL BE SUPPLIED AS TWO 45° ELBOWS



60° ELBOW



45° ELBOW



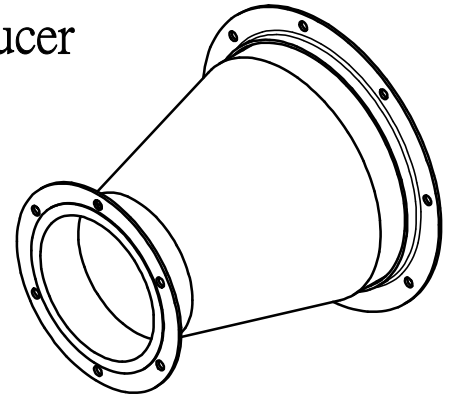
30° ELBOW

Uangyih-tech Standard				
DIAMETER	R = 1 x D		R = 1.5 x D	
100-150	SF1=25	SF2=25	SF1=0	SF2=0
200-500	SF1=20	SF2=20	SF1=0	SF2=0
550 UP	SF1=0	SF2=0	SF2=0	SF2=0

1/2 RADIUS ELBOWS
ARE NOT AVAILABLE.

DUCT & FITTINGS

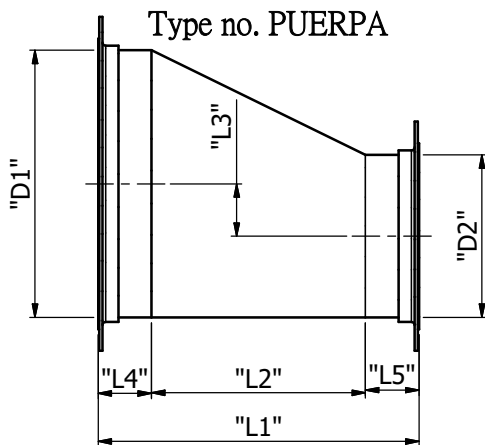
Concentric and Eccentric Reducer



OPTIONS:

- Custom length available.
- PSP duct.
- Not coated duct.

WITH ANGLE RINGS
(AVAILABLE 100 - 3000)



ECCENTRIC

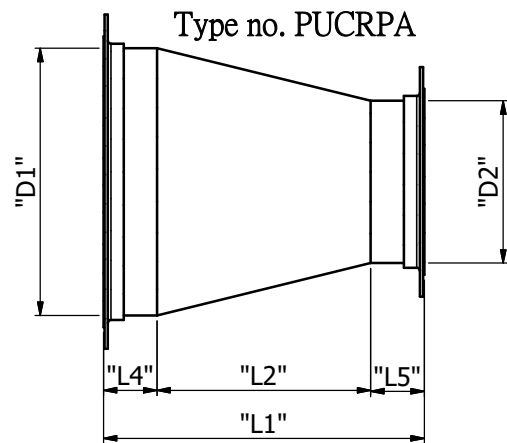
Formula to calculate the minimum length for an eccentric reducer
 $L1 = L2 + L4 + L5$

Use this chart for minimum length of "L2"
 (Shorter taper or "L2" length can be fabricated, but will effect air flow)

AMOUNT OF REDUCTION	MINMUN LINGTH
"D1" minus "D2" 150 AND LESS	"L2" 300 mm
175 TO 225	450 mm
250 TO 325	600 mm
350 TO 425	750 mm

Use this chart for minimum length of "L4" & "L5"

DUCT DIAMETER	MINMUN LINGTH
"D1" or "D2" 100 TO 1450	"L4" or "L5" 75 mm
1500 TO 2350	100 mm
2400 TO 3000	125 mm



CONCENTRIC

Formula to calculate the minimum length for an concentric reducer
 $L1 = L2 + L4 + L5$

Use this chart for minimum length of "L2"
 (Shorter taper or "L2" length can be fabricated, but will effect air flow)

AMOUNT OF REDUCTION	MINMUN LINGTH
"D1" minus "D2" 225 AND LESS	"L2" 300 mm
250 TO 350	450 mm
375 TO 475	600 mm
500 TO 600	750 mm

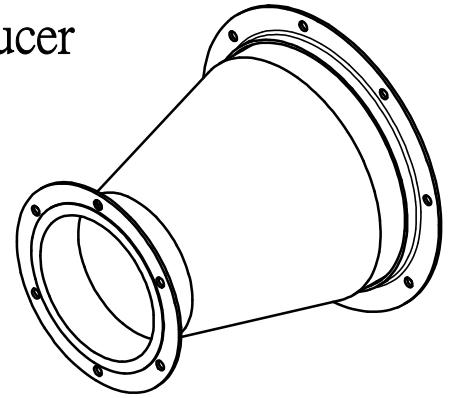
Use this chart for minmum length of "L4" & "L5"

DUCT DIAMETER	MINMUN LINGTH
"D1" or "D2" 100 TO 1450	"L4" or "L5" 75 mm
1500 TO 2350	100 mm
2400 TO 3000	125 mm

DUCT & FITTINGS

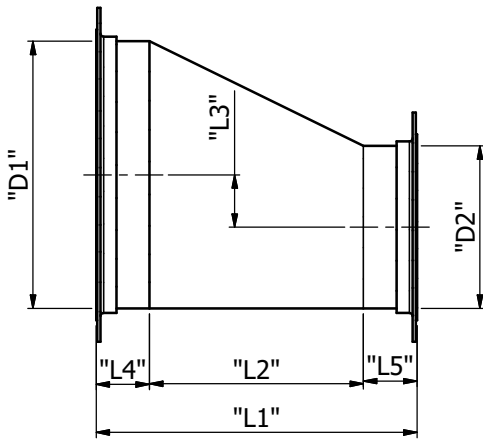
Concentric and Eccentric Reducer

For Hook up



OPTIONS:

- Custom length available.
- PSP duct.
- Not coated duct.



ECCENTRIC

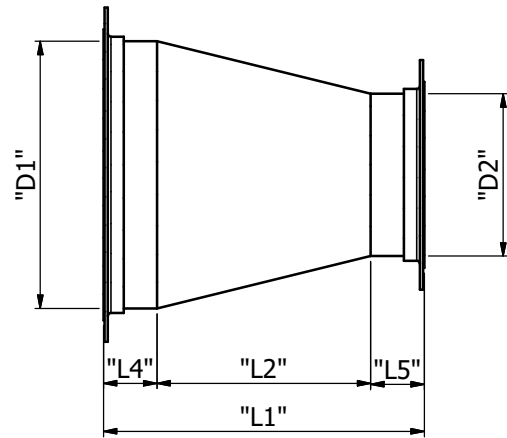
Formula to calculate the minimum length for an eccentric reducer
 $"L1" = "L2" + "L4" + "L5"$

Uangyih-tech Standard "L2"

"D1" TO "D2"	"L2"
150 TO 100	50 mm
200 TO 100	100 mm
200 TO 150	100 mm
250 TO 100	150 mm
250 TO 150	150 mm
250 TO 200	150 mm
300 TO 100	200 mm
300 TO 150	200 mm
300 TO 200	200 mm
300 TO 250	200 mm

Use this chart for Hook up length of "L4" & "L5"

DUCT DIAMETER	LINGTH
"D1" or "D2"	"L4" or "L5"
300 TO 100	50 mm



CONCENTRIC

Formula to calculate the minimum length for an concentric reducer
 $"L1" = "L2" + "L4" + "L5"$

Uangyih-tech Standard "L2"

"D1" TO "D2"	"L2"
150 TO 100	50 mm
200 TO 100	100 mm
200 TO 150	100 mm
250 TO 100	150 mm
250 TO 150	150 mm
250 TO 200	150 mm
300 TO 100	200 mm
300 TO 150	200 mm
300 TO 200	200 mm
300 TO 250	200 mm

Use this chart for Hook up length of "L4" & "L5"

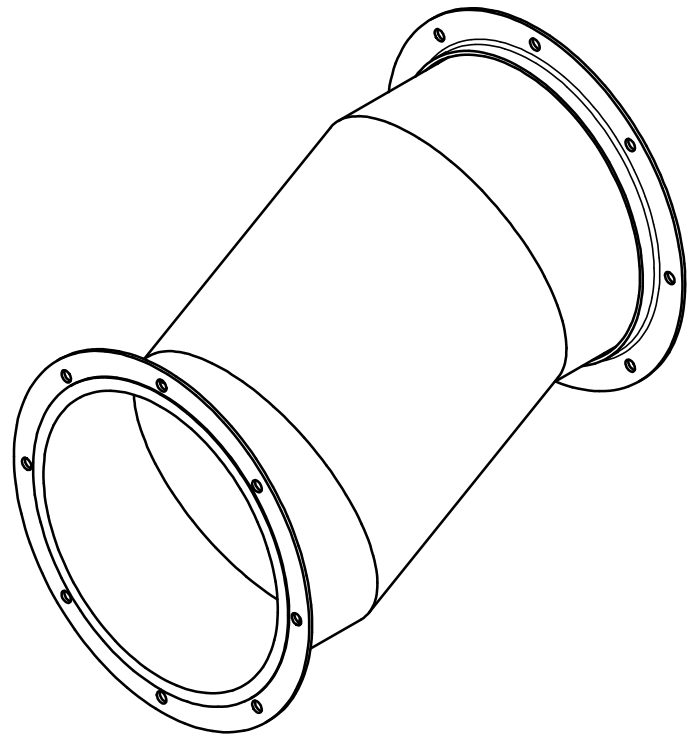
DUCT DIAMETER	LINGTH
"D1" or "D2"	"L4" or "L5"
300 TO 100	50 mm

DUCT & FITTINGS

Offset

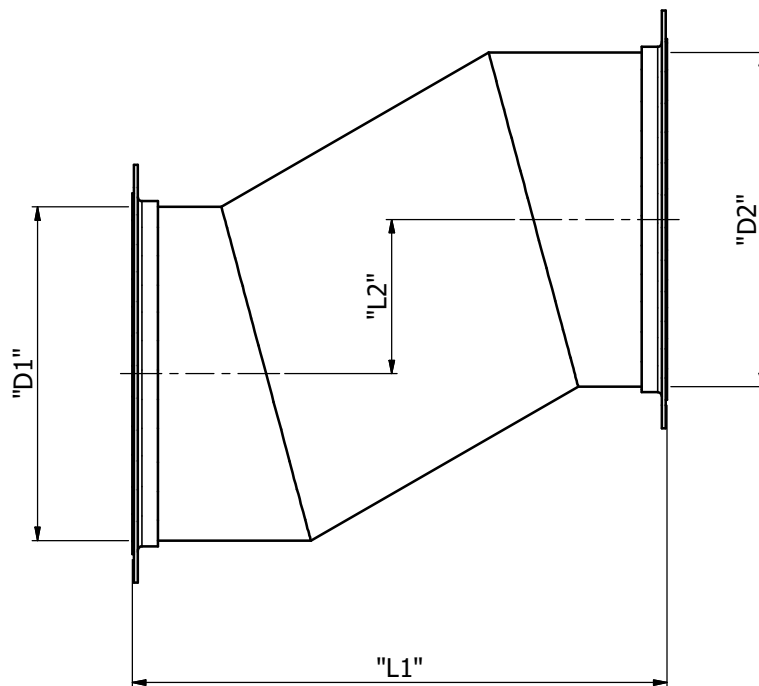
OPTIONS:

- Custom length available.
- PSP duct.
- Not coated duct.



WITH ANGLE RINGS
(AVAILABLE 100 - 3000)

Type no. PUOFPA



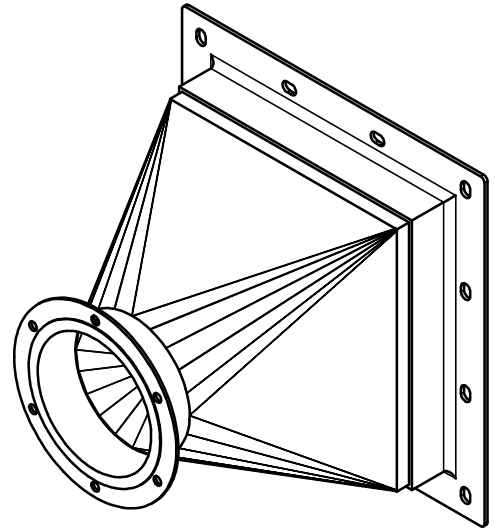
RECTANGULAR DUCT

Concentric Round to Rectangular Transition

OPTIONS:

- PSP duct.
- Not coated duct.

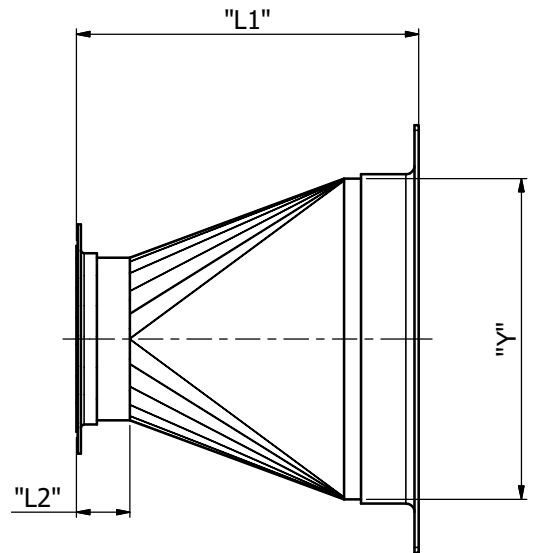
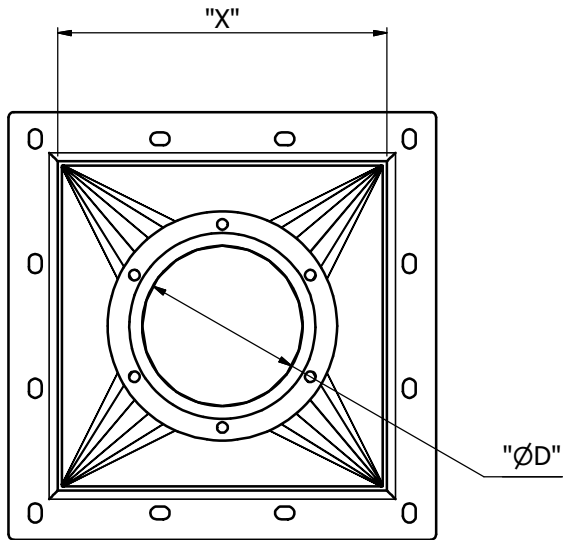
WITH ANGLE RINGS
(AVAILABLE 100 - 3000)



Type no. PUFCRPA

NOTES:

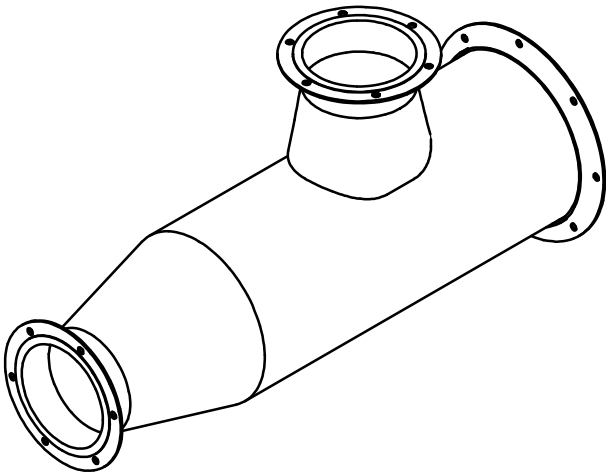
- RAW END AVAILABLE.
- ROUND DUCT GREATER THAN 2100mm DIAMETER REQUIRES UANGYIH-TECH ENGINEERING REVIEW AND APPROVAL.
- RECTANGULAR DUCT WIDTH OR HEIGHT OF 2450mm AND LARGER REQUIRES UANGYIH-TECH ENGINEERING REVIEW.



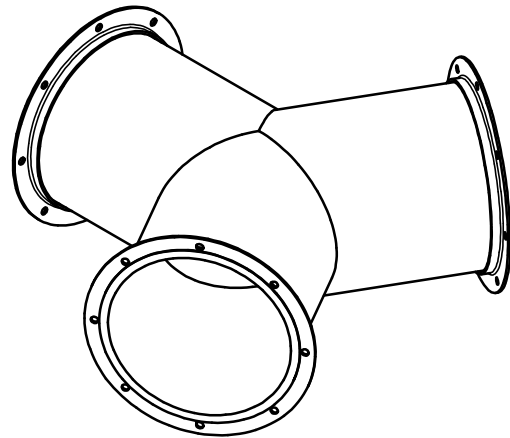
FOR ECCENTRIC ROUND TO
RECTANGULAR FITTING, USE THE
CUSTOM FITTING ORDER SHEET.

CONTROL DEVICES

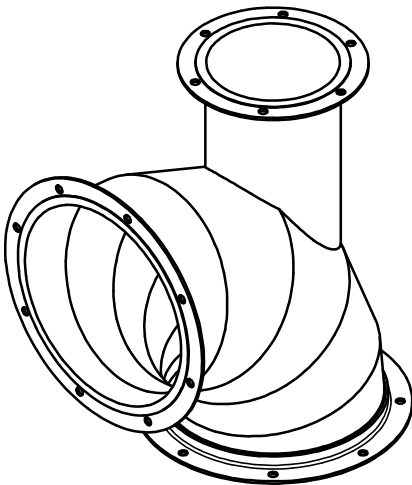
Custom Fitting



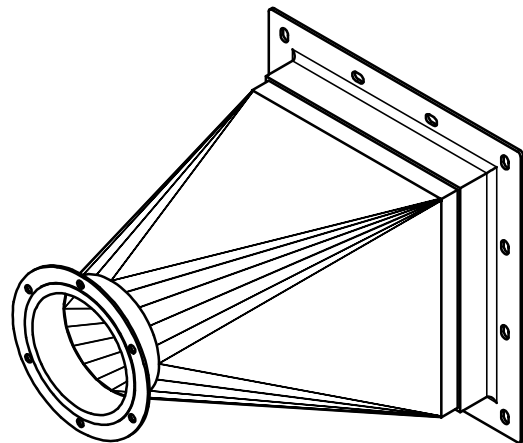
90 DEGREE REDUCING TEE



90 DEGREE WYE



ELBOW WITH HEEL TAP



ECCENTRIC ROUND TO RECTANGULAR TRASTITION

CONTROL DEVICES

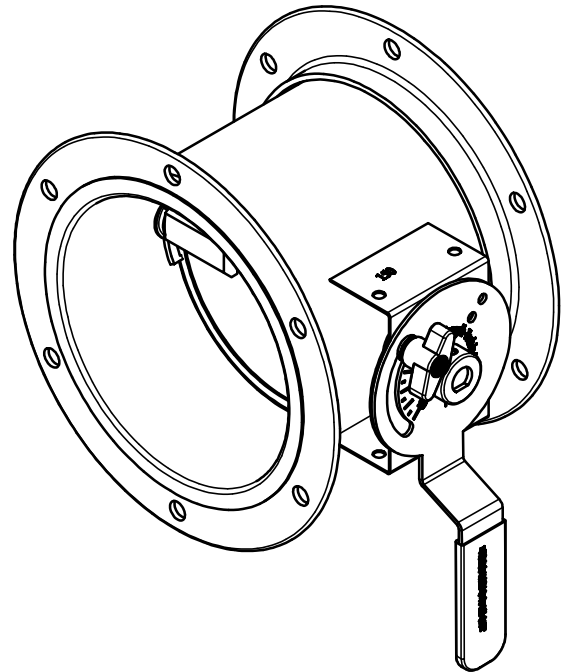
100 - 300 Industrial Single Blade Balancing Damper

SPECIFICATIONS

- Floating ring - stainless steel
- Manual actuation
- PP edge seal, 100 - 300
- Liquid tight axle seals

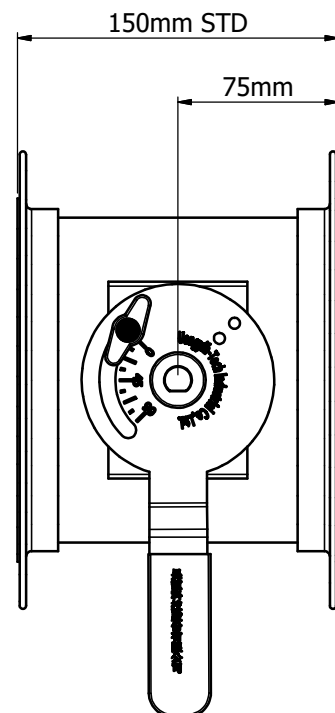
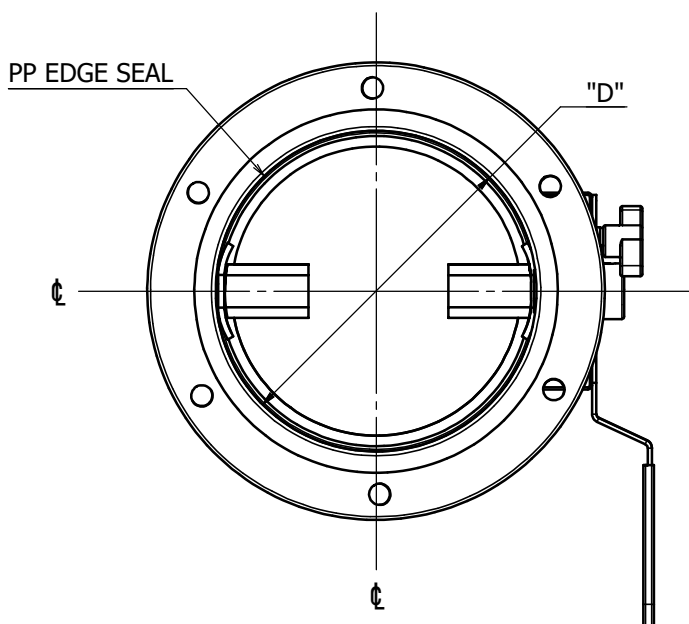
OPTIONS

- Custom hole pattern
- Electric / pneumatic actuators
- PSP duct.
- Not coated duct.



Type no. PUDHPA

DIAMETER	BLADE	BODY
100 TO 300	2.0t	1.0t

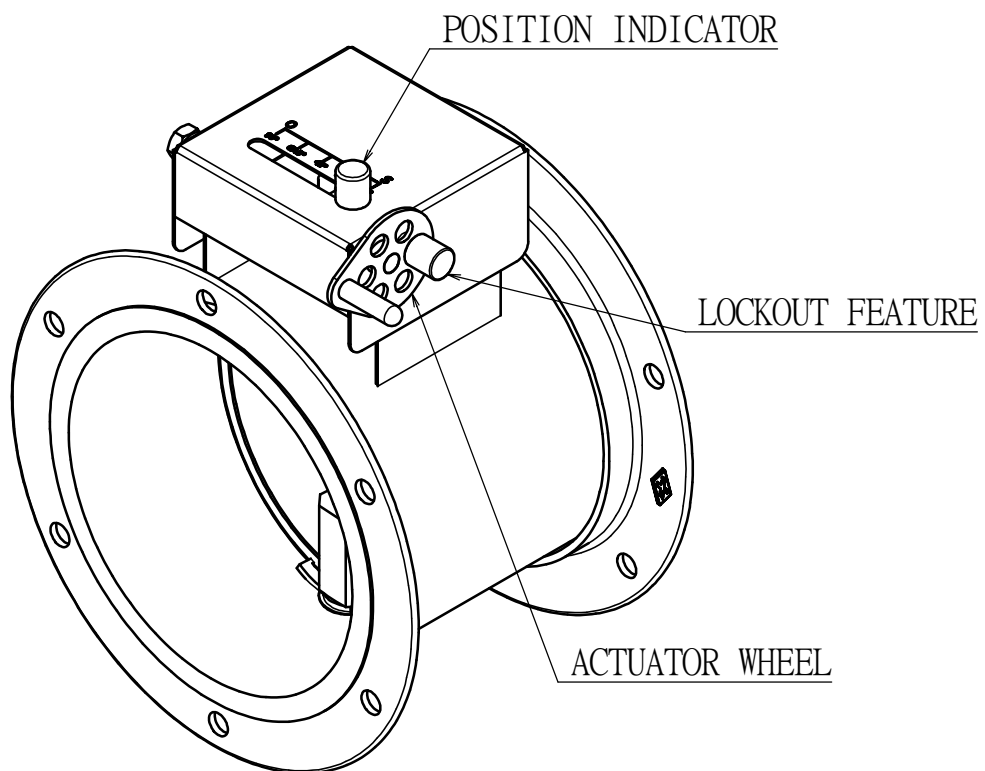


CONTROL DEVICES

Micro Adjustable Damper Option
FOR 100 - 300 INDUSTRIAL SINGLE BLADE BALANCING

OPTIONS:

- PSP duct.
- Not coated duct.
- Length 150mm STD.



Type no. PUDZPA

CONTROL DEVICE

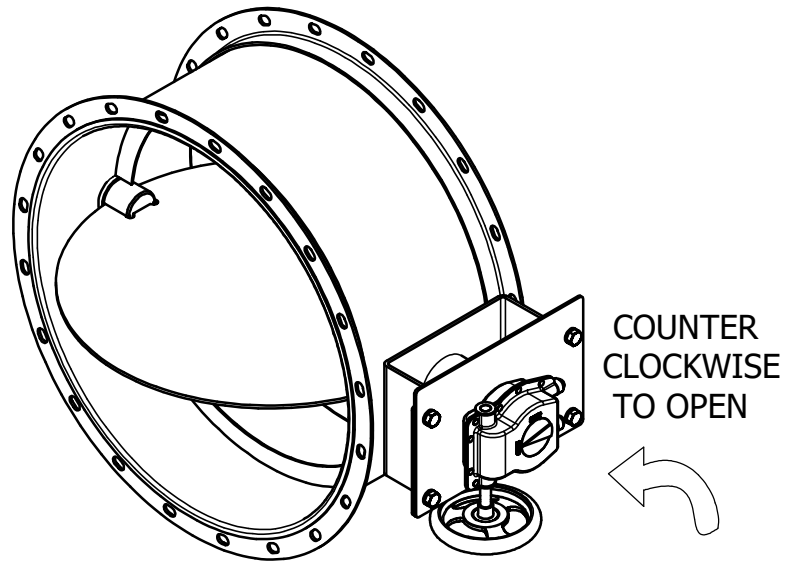
350-1250 Heavy Duct industrial Single Blade Damper

SPECIFICATIONS

- 1000-1250 welded stainless steel rings.
- 500-950 float stainless steel rings.
- Mounting holes straddle vertical centerline.
- Liquid tight shaft seals-thermoplastic sleeve bearings.
- 35mm stainless steel axles - 1000 TO 1250 6mm stainless steel blade, 350 TO 950 4mm stainless steel blade.

OPTIONS

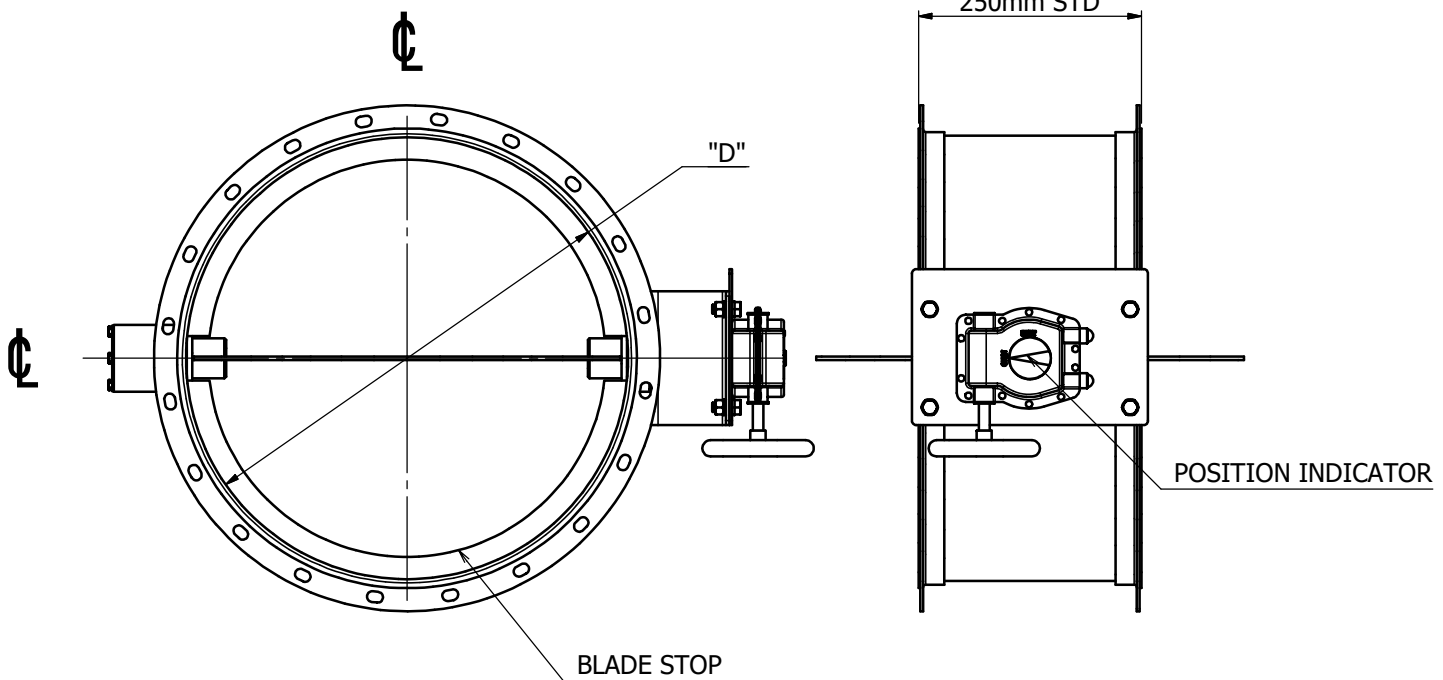
- Pneumatic actuator.
- Electric actuator.
- Custom hole pattern.
- PSP duct.
- Not coated duct.



Type no. PUDBZPA

WITH ANGLE RINGS
(AVAILABLE 350-1250)

DIAMETER	BLADE	BODY
350-950	4.0t	2.0t
1000-1250	6.0t	3.0t



CONTROL DEVICE

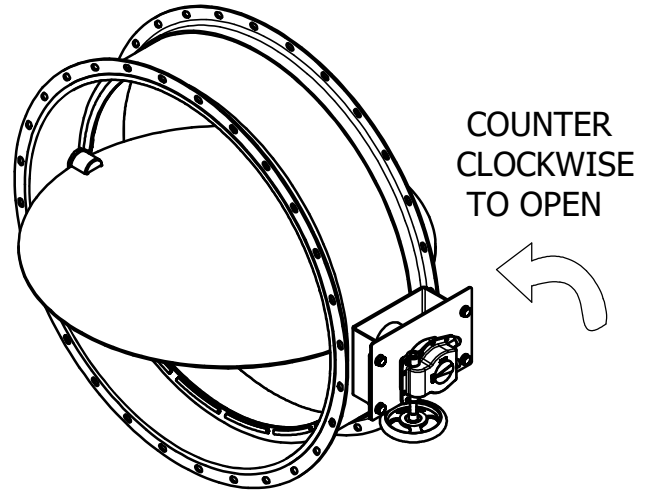
350-1250 Heavy Duct industrial Sealed Bearing Single Blade Damper

SPECIFICATIONS

- 1000-1250 welded stainless steel rings.
- 500-950 float stainless steel rings.
- Mounting holes straddle vertical centerline.
- Liquid tight shaft seals-thermoplastic sleeve bearings.
- 35mm stainless steel axles - 6mm stainless steel blade.
- Welded blade stops with seal.

OPTIONS

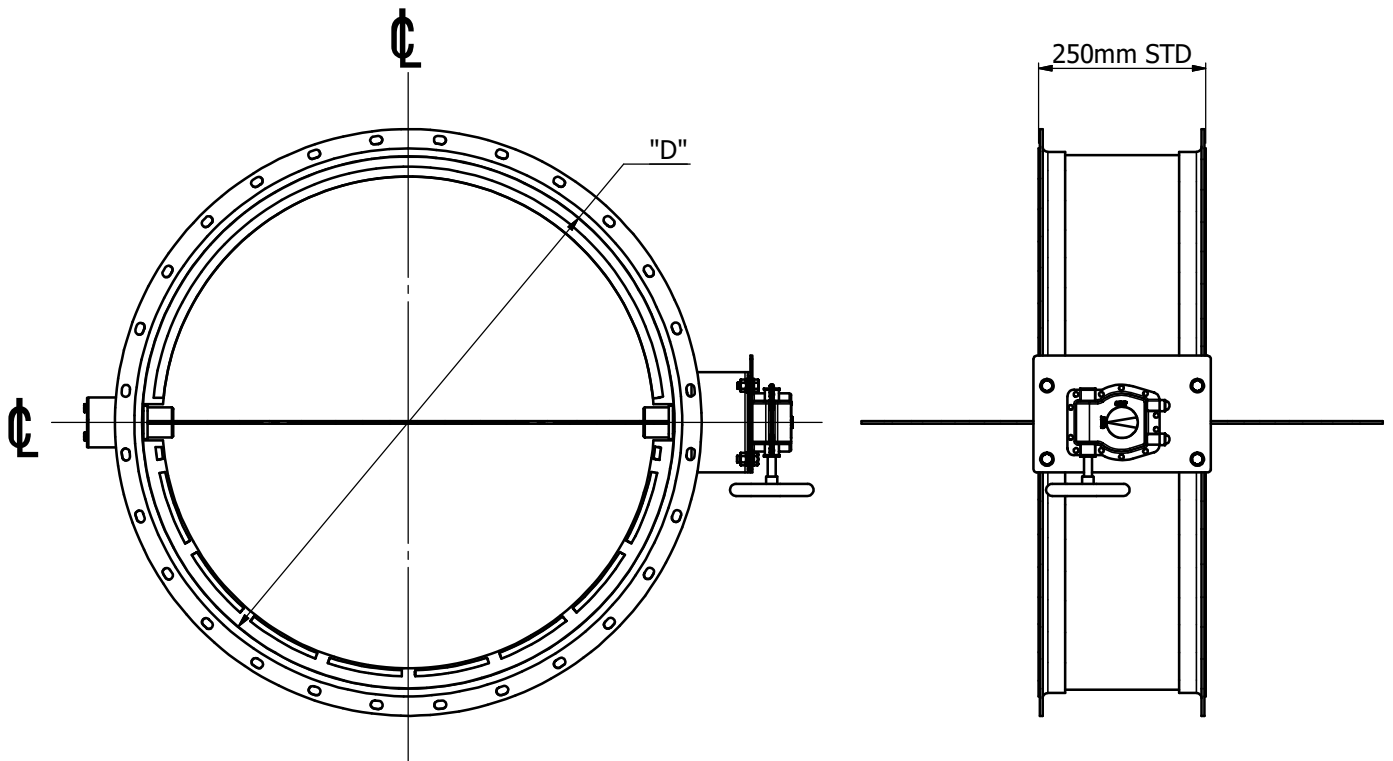
- Pneumatic actuator.
- Electric actuator.
- Custom hole pattern.
- PSP duct.
- Not coated duct.



Type no. PUDAZPA

WITH ANGLE RINGS
(AVAILABLE 350-1250)

DIAMETER	BLADE	BODY
350-450	4.0t	2.0t
500-950	6.0t	2.0t
1000-1250	6.0t	3.0t



CONTROL DEVICE

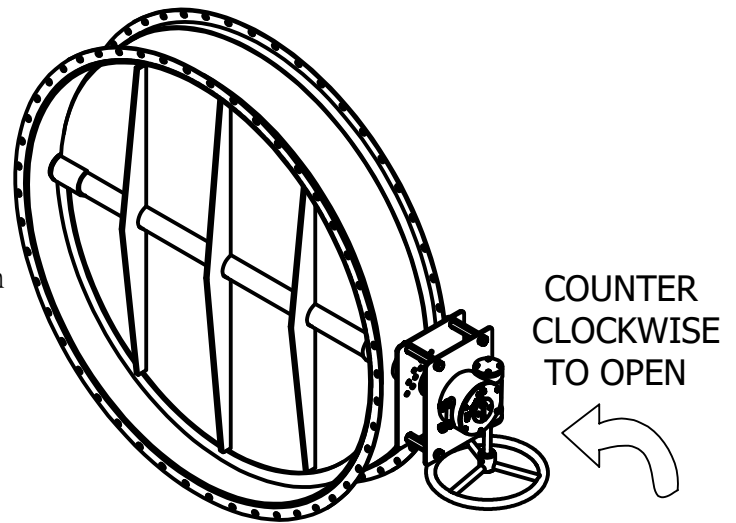
1300 DIA. Larger Reinforced Heavy Duty Industrial Single Blade Damper

SPECIFICATIONS

- Stainless steel blade with stiffening ribs.
- Stainless steel body.
- Welded stainless steel rings.
- Gear drive actuator with lock out, 10° intervals.
- Mounting holes straddle vertical centerline.
- Welded blade stops.
- Liquid tight shaft seals, thermoplastic sleeve bearings.
- Available to 3000mm dia. - dampers larger than 2100mm dia. require engineering review & approval.

OPTIONS

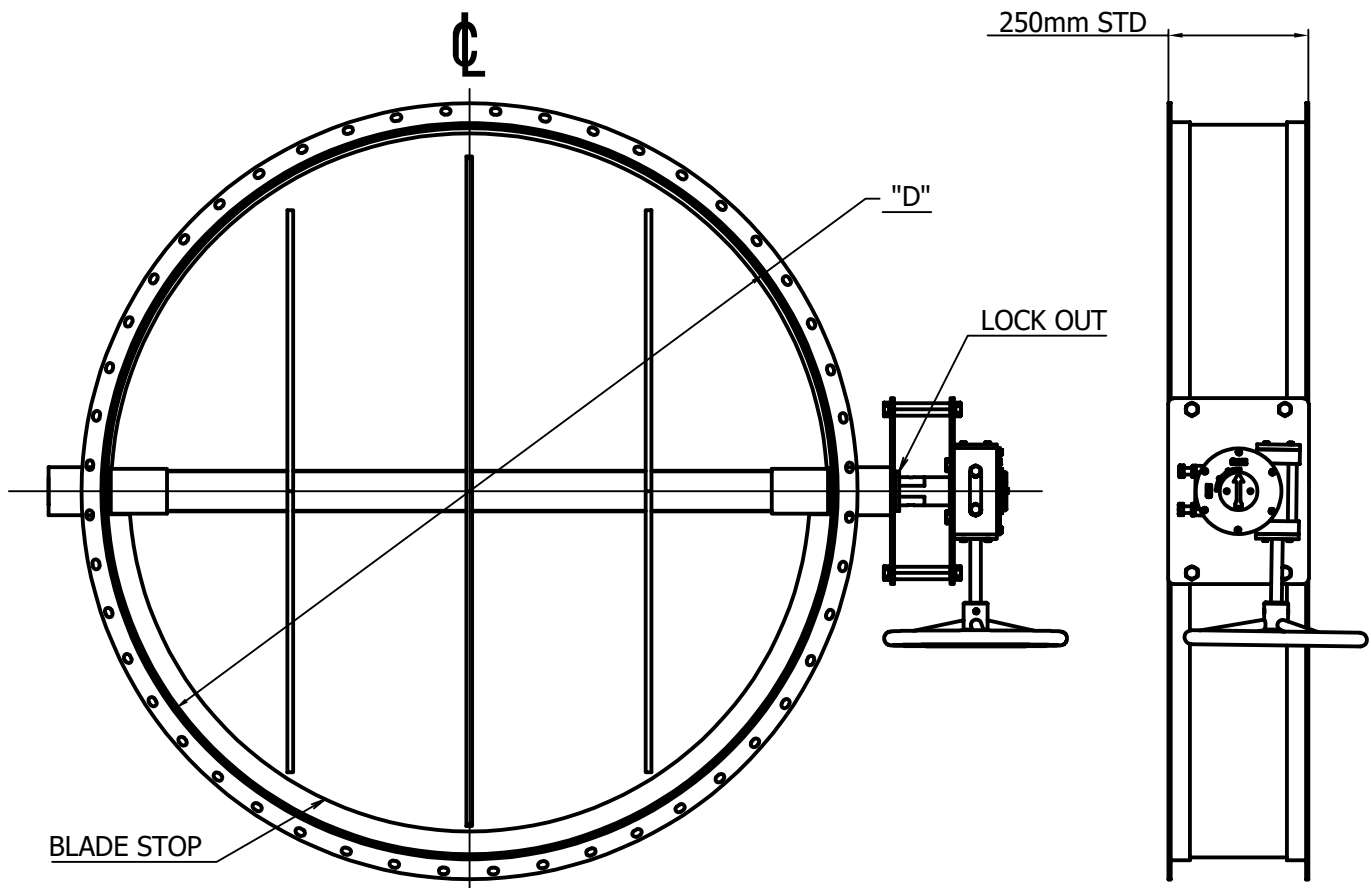
- Pneumatic actuator.
- Electric actuator.
- Custom hole pattern.
- Custom actuator mounting kit.
- PSP duct.
- Not coated duct.



Type no. PUDSZPA

WITH ANGLE RINGS
(AVAILABLE 1300-3000)

DIAMETER	BLADE	BODY
1300 TO 3000	10.0t	6.0t



CONTROL DEVICE

Heavy Duty Rectangular Parallel Blade

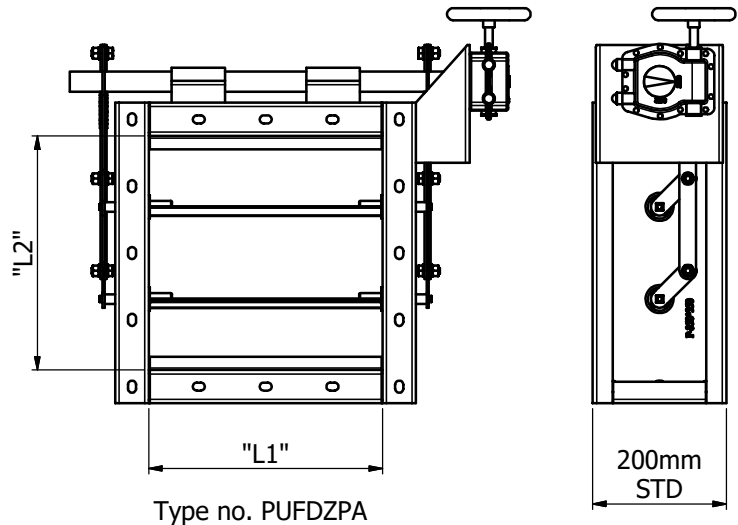
Control Damper

SPECIFICATIONS

- FRAME 200mm STANDARD LENGTH WITH 50mm FLANGES - 3mm STAINLESS STEEL CENTER SUPPORT AS REQUIRED.
- MOUNTING HOLES (12 x 18 SLOT) LOCATED BETWEEN 75mm To 102mm ON CENTER.
- BLADES - 2mm STAINLESS STEEL.
- AXLES - 20mm DIAMETER STAINLESS STEEL.
- LIQUID TIGHT SHAFT SEALS.

OPTIONS

- PNEUMATIC / ELECTRIC ACTUATOR.
- GEAR DRIVE.



Type no. PUFDZPA

"L1" & "L2" DISTANCE
"L1" MIN = 400mm "L2" MIN = 400mm
"L1" MAX = 2200mm "L2" MAX = 2200mm

CENTER SUPPORT REQUIRED FOR
BLADES LONGER THAN 1200mm ("L1")

Heavy Duty Rectangular Opposed Blade

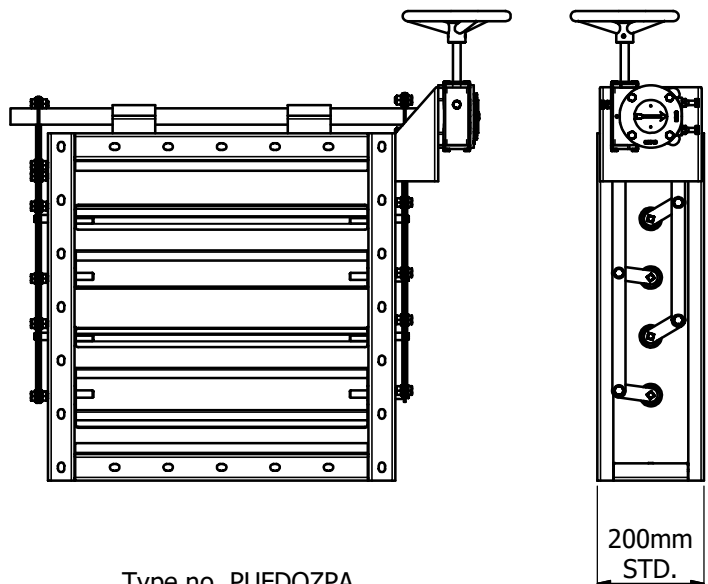
Control Damper

SPECIFICATIONS

- FRAME 200mm STANDARD LENGTH WITH 50mm FLANGES - 3mm STAINLESS STEEL CENTER SUPPORT AS REQUIRED.
- MOUNTING HOLES (12 x 18 SLOT) EQUAL TO OR LESS THAN 102mm ON CENTER.
- BLADES - 2.0mm STAINLESS STEEL.
- AXLES - 20mm STAINLESS STEEL.
- LIQUID TIGHT SHAFT SEALS.

OPTIONS

- PNEUMATIC / ELECTRIC ACTUATOR.
- GEAR DRIVE.



Type no. PUFDOZPA

"L1" & "L2" DISTANCE
"L1" MIN = 500mm "L2" MIN = 500mm
"L1" MAX = 2200mm "L2" MAX = 2200mm

CENTER SUPPORT REQUIRED FOR
BLADES LONGER THAN 1200mm ("L1")

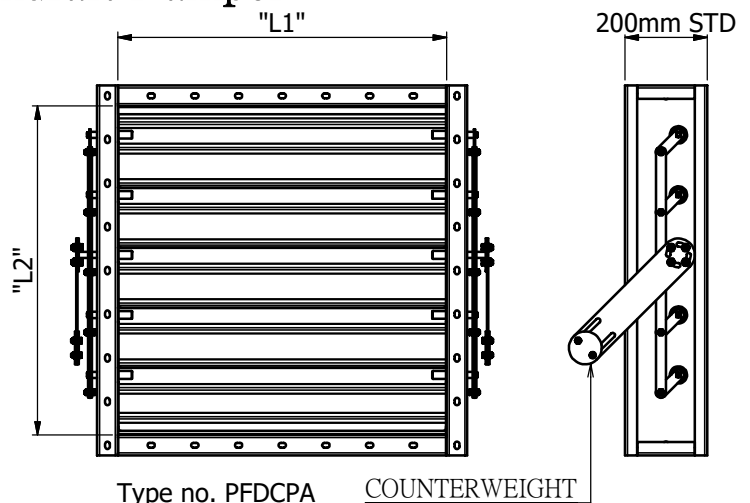
CONTROL DEVICE

Heavy Duty Rectangular Industrial

Backdraft Damper

SPECIFICATIONS

- FRAME 200mm STANDARD LENGTH WITH 50mm FLANGES - 3mm STAINLESS STEEL CENTER SUPPORT AS REQUIRED.
- FLANGE MOUNTING HOLES (12 x 18 SLOT) EQUAL TO OR LESS THAN 102 ON CENTER.
- BLADES - 2.0mm STAINLESS STEEL.
- AXLES - 20mm DIAMETER STAINLESS STEEL.
- LIQUID TIGHT SHAFT SEALS.
- MANUAL ADJUSTABLE COUNTERWEIGHTS.



Type no. PFDCPA COUNTERWEIGHT

CENTER SUPPORT REQUIRED FOR
BLADES LONGER THAN 1200mm ("L1")

"L1" & "L2" DISTANCE

"L1" MIN = 300mm "L2" MIN = 300mm

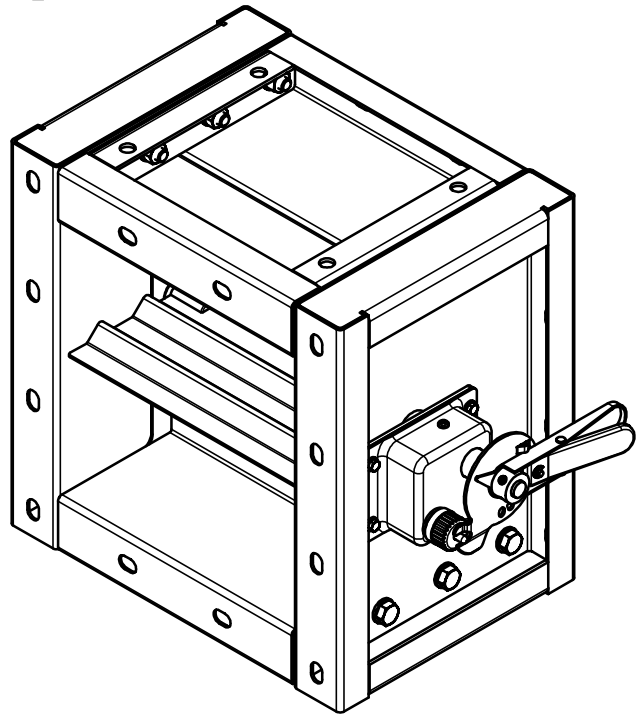
"L1" MAX = 2200mm "L2" MAX = 2200mm

CONTROL DEVICE

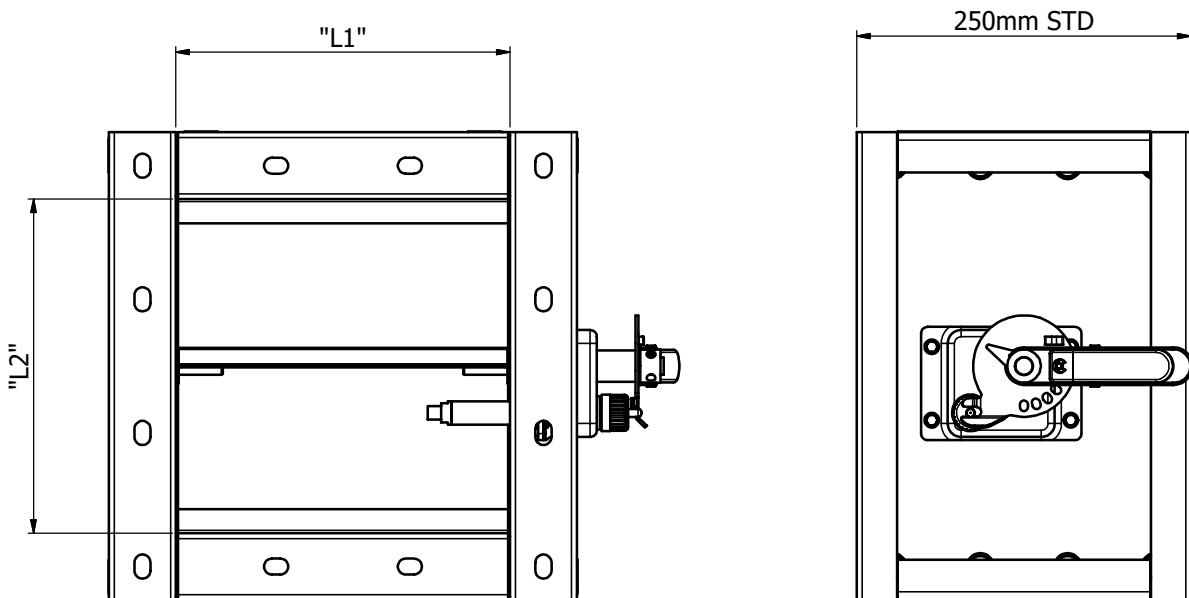
Heavy Duty Rectangular Industrial Fire Damper

SPECIFICATIONS

- FRAME 250mm STANDARD LENGTH WITH 50mm FLANGES - 3mm STAINLESS STEEL.
- FLANGE MOUNTING HOLES (12 x 18 SLOT) EQUAL TO OR LESS THAN 102 ON CENTER.
- BLADES - 2.0mm STAINLESS STEEL.
- AXLES - 13mm DIAMETER STAINLESS STEEL.
- LIQUID TIGHT SHAFT SEALS.
- MANUAL ADJUSTABLE COUNTERWEIGHTS.



Type no. PFD-M



"L1" & "L2" DISTANCE
"L1" & "L2" MIN = 200mm
"L1" & "L2" MAX= 800mm

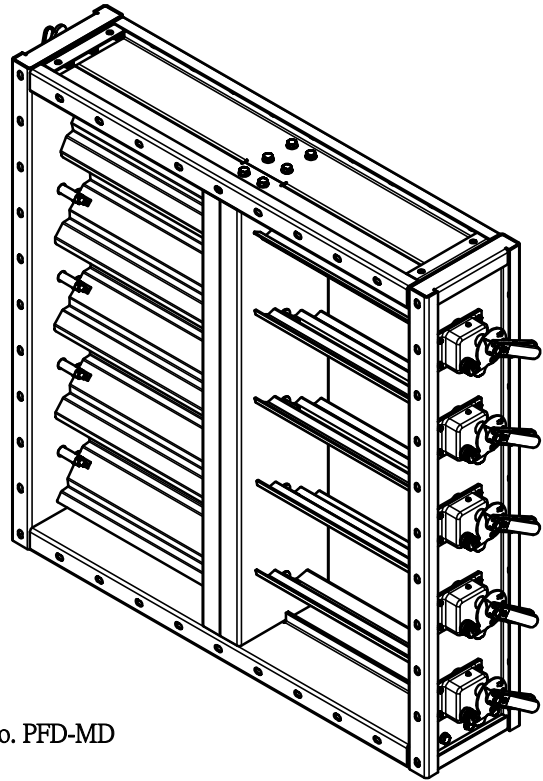
CONTROL DEVICE

Heavy Duty Rectangular Industrial

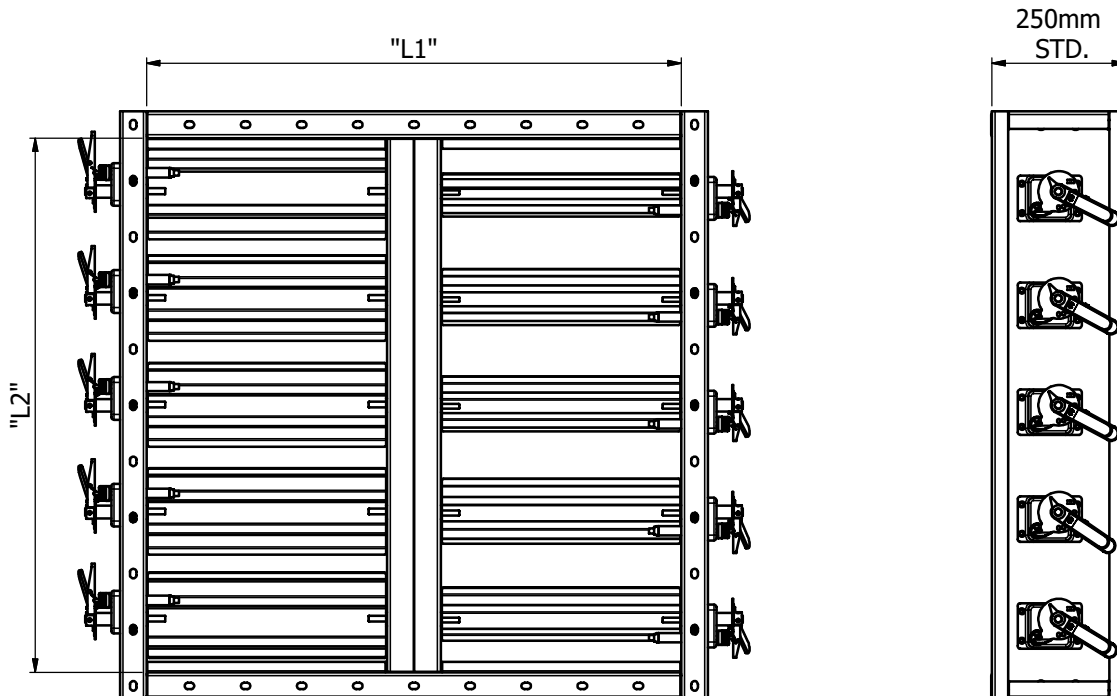
Fire Damper

SPECIFICATIONS

- FRAME 250mm STANDARD LENGTH WITH 50mm FLANGES - 3mm STAINLESS STEEL.
- FLANGE MOUNTING HOLES (12 x 18 SLOT) EQUAL TO OR LESS THAN 102 ON CENTER.
- BLADES - 2.0mm STAINLESS STEEL.
- AXLES - 13mm DIAMETER STAINLESS STEEL.
- LIQUID TIGHT SHAFT SEALS.
- MANUAL ADJUSTABLE COUNTERWEIGHTS.



Type no. PFD-MD



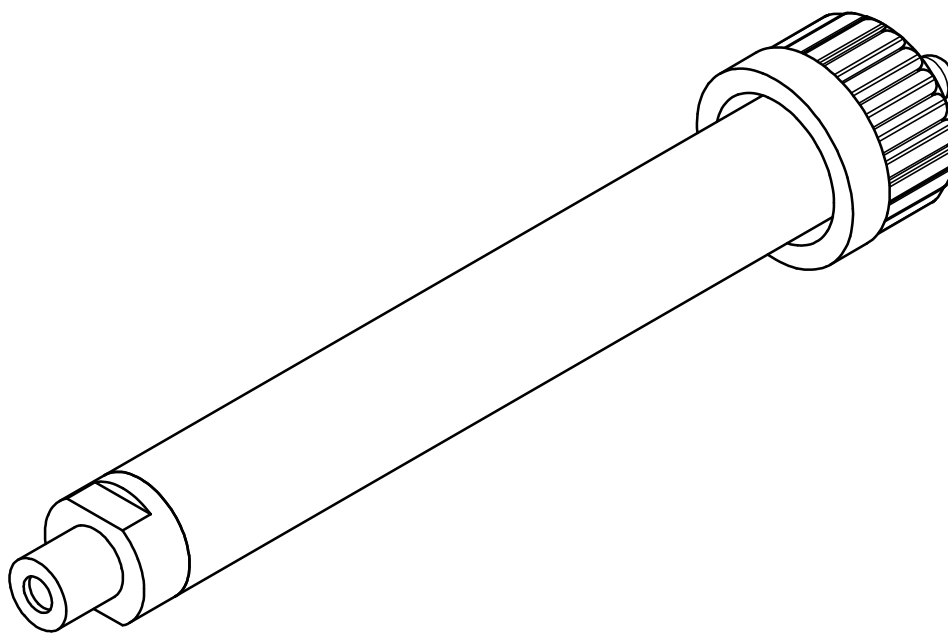
"L1" & "L2" DISTANCE
"L1" & "L2" MIN = 850mm
"L1" & "L2" MAX = 1800mm

CONTROL DEVICE

Fire Sensor

SPECIFICATIONS

□ PART NO. IS FS-01.

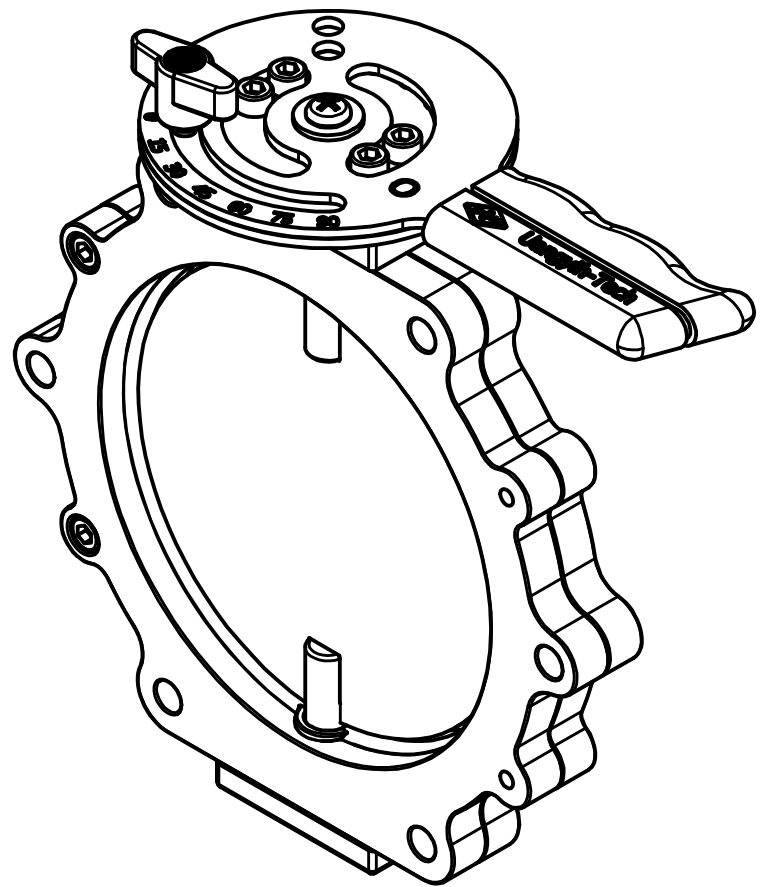


CONTROL DEVICE

Ø100 - Ø300 Wafer Single Blade Damper S2

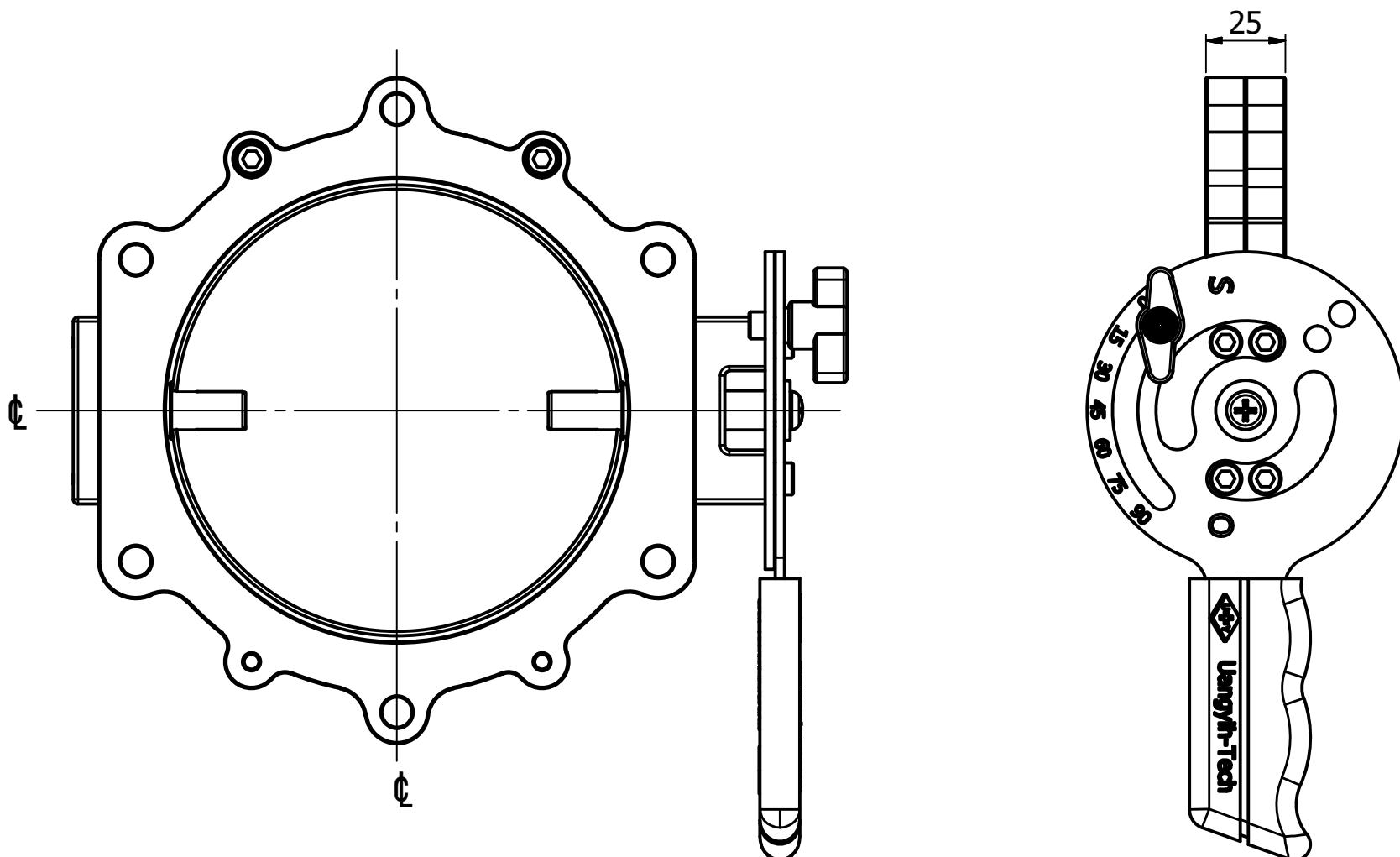
SPECIFICATIONS

- BODY: Solid aluminum body, 25mm width.
- BLADE: Coated 3.0mm stainless.
- AXLES: Dual shaft, 13 diameter stainless steel, both shaft are welded on the blade.
- AXLES SEALS: Liquid tight - accommodate positive and negative system pressures.
- BEARINGS:PP
- COATING: All components in contact with airstream are coated with PSP.
- QUADRANT: Manual locking handle, all stainless steel construction with lockout capability in 15° intervals.
- The damper is designed to meet ANSI/AMCA 500-D Class 1 requirement.



Type no. S2PWD

DIAMETER	BLADE	BODY
100 TO 300	3.0 mm	SOLID



CONTROL DEVICE

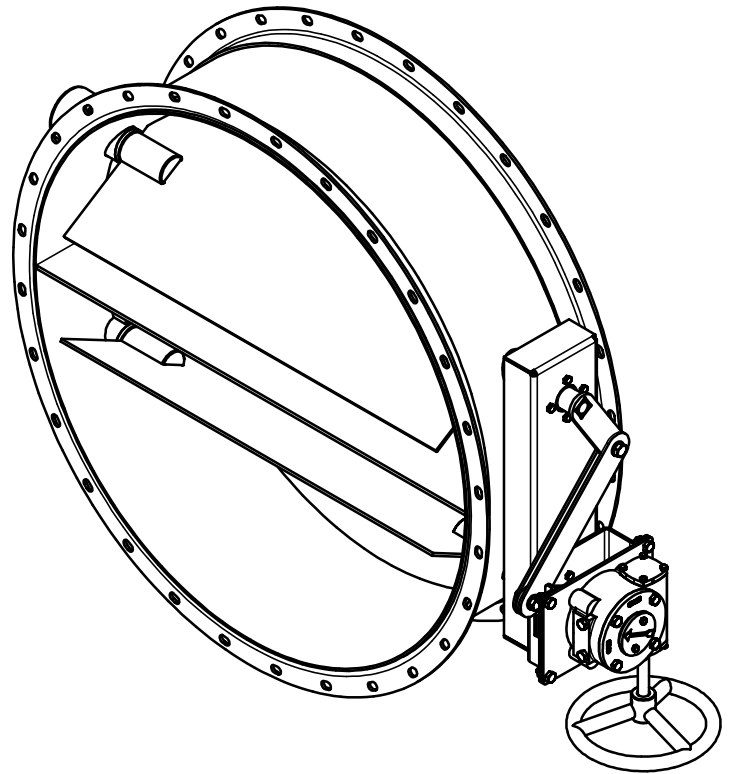
Ø400 - Ø1250 Heavy Duty Opposed Blade Control Damper

SPECIFICATIONS

- Welded stainless steel rings.
- Mounting holes stralddle vertical centerline.
- Liquid tight shaft seals - thermoplastic sleeve bearings.
- 35mm stainless steel axles - 6.0mm stainless steel blades.

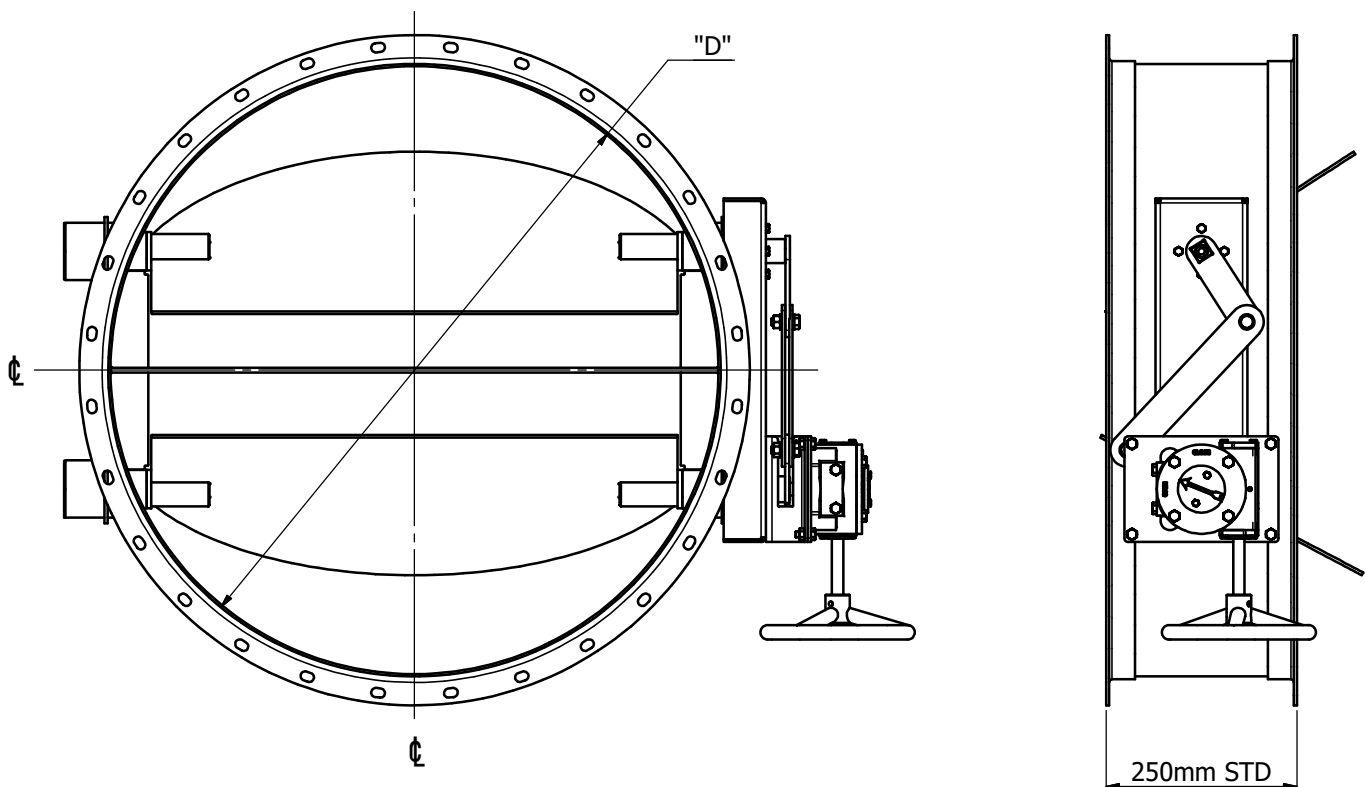
OPTIONS

- Pneumatic actuator.
- Electric actuator.
- Custom hole pattern.
- PSP duct.
- Not coated duct.



Type no. OBD

DIAMETER	BLADE	BODY
400 TO 850	4.0 mm	3.0 mm
900 TO 1250	6.0 mm	3.0 mm



CONTROL DEVICE

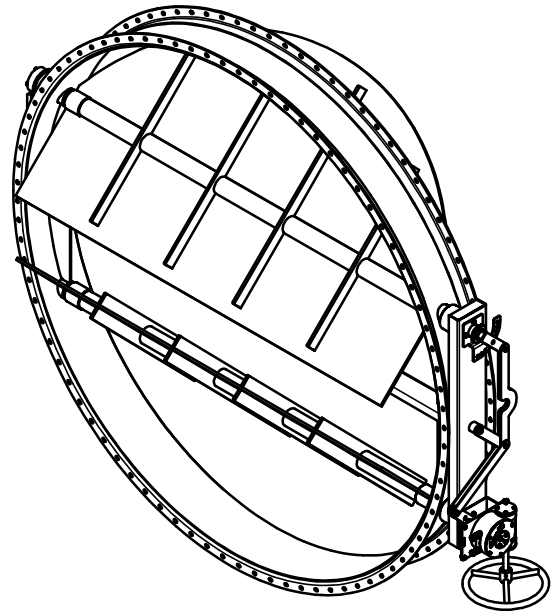
Ø1300 - Ø1650 Heavy Duty Opposed Blade Control Damper

SPECIFICATIONS

- Welded stainless steel rings.
- Mounting holes straddle vertical centerline.
- Liquid tight shaft seals - thermoplastic sleeve bearings.
- Ø1300-Ø1650 use 35mm stainless steel axles.

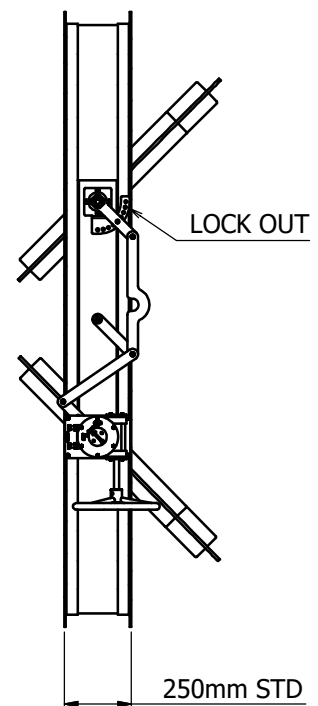
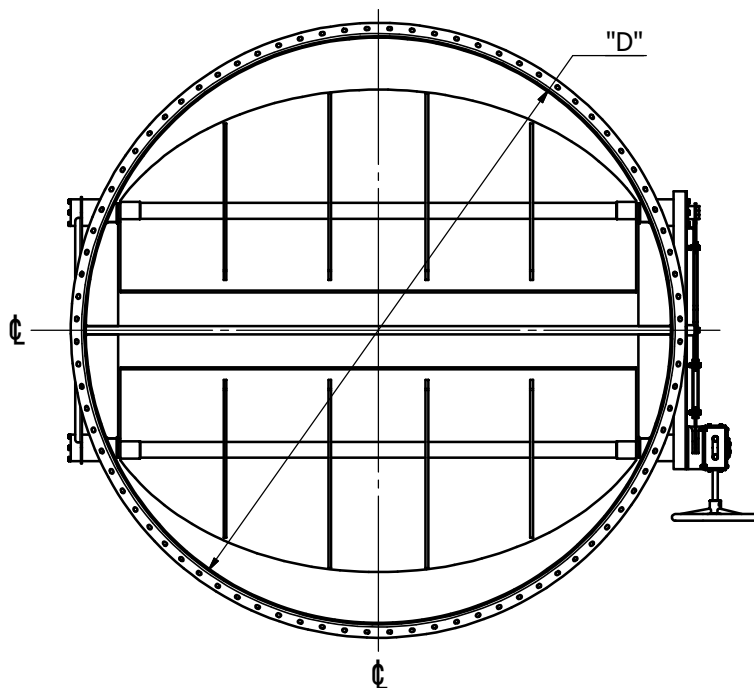
OPTIONS

- Pneumatic actuator.
- Electric actuator.
- Custom hole pattern.
- PSP duct.
- Not coated duct.



DIAMETER	BLADE	BODY
1300 TO 1650	6.0 mm	4.0 mm

Type no. BOBD



CONTROL DEVICE

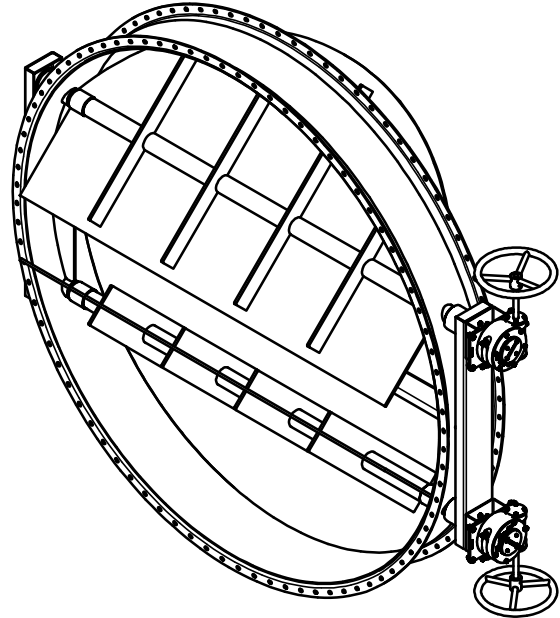
Ø1700 - Ø3000 Heavy Duty Opposed Blade Control Damper Dual Drive

SPECIFICATIONS

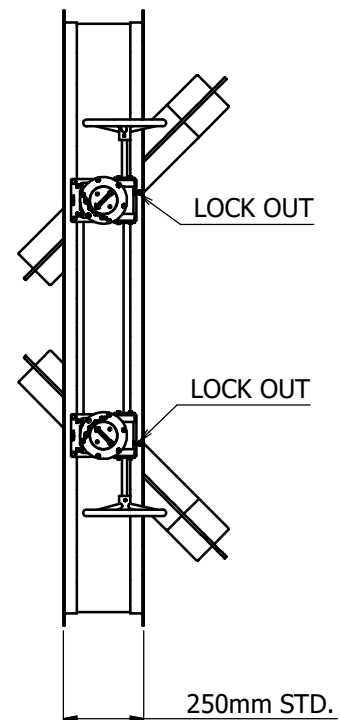
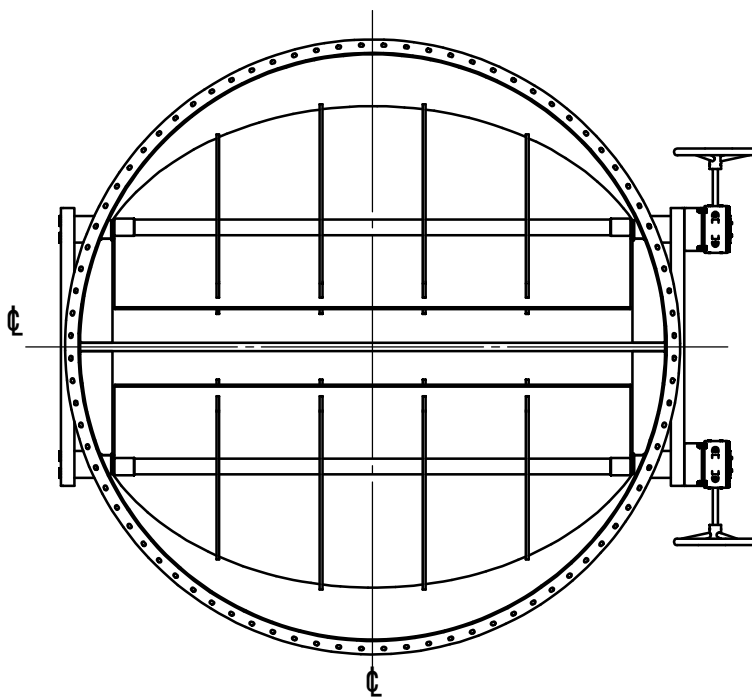
- Welded stainless steel rings.
- Mounting holes stralddle vertical centerline.
- Liquid tight shaft seals - thermoplastic sleeve bearings.
- Ø1700-Ø3000 use 35mm stainless steel axles.
- Use dual drive.

OPTIONS

- Pneumatic actuator.
- Electric actuator.
- Custom hole pattern.
- PSP duct.
- Not coated duct.



DIAMETER	BLADE	BODY
1700 TO 3000	10.0 mm	6.0 mm

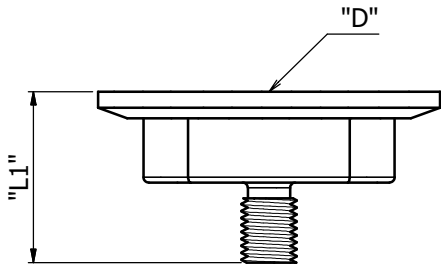
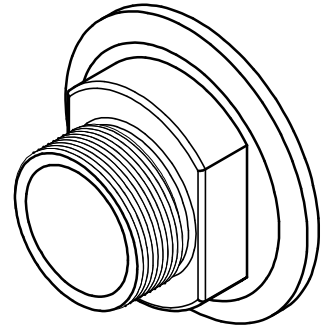


UANGYIH-TECH FLANGE SYSTEM

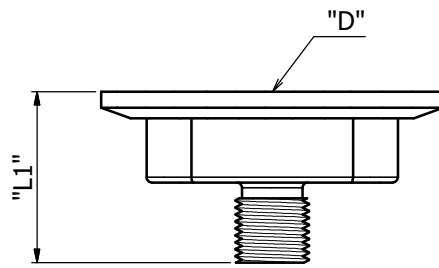
NPT Male Nipple Adapter

NOTES

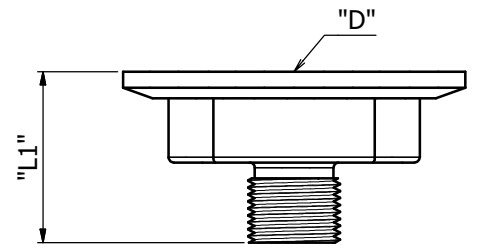
- PermaShield fluoropolymer barrier coating on inside inside surface and flange faces.



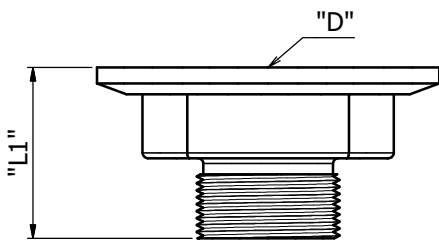
FTN 18



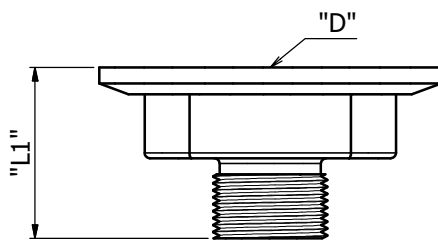
FTN 14



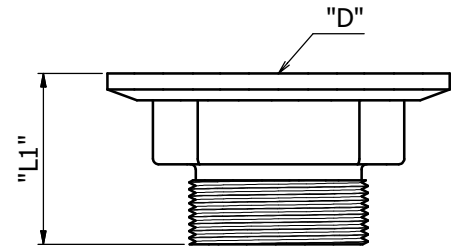
FTN 38



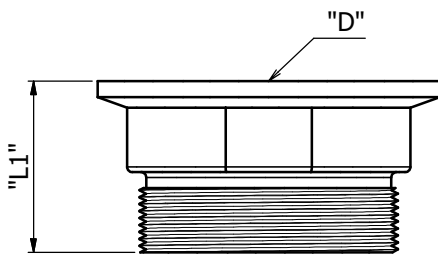
FTN 12



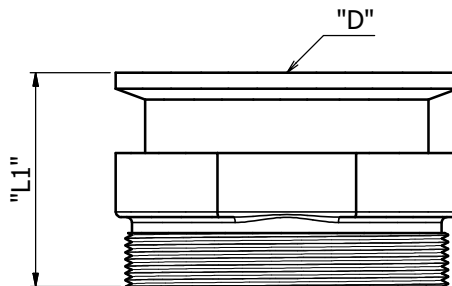
FTN 34



FTN 01



FTN 15



FTN 02

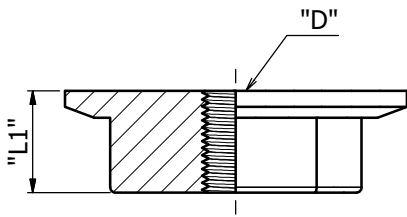
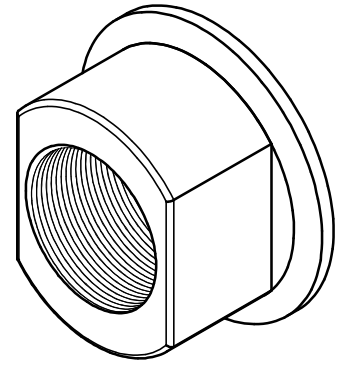
PART NO.	DESCRIPTION	"D"	PIPE THREAD	"L1"
FTN 18	2" TO 1/8" NPT	2"	1/8" NPT	32 mm
FTN 14	2" TO 1/4" NPT	2"	1/4" NPT	32 mm
FTN 38	2" TO 3/8" NPT	2"	3/8" NPT	32 mm
FTN 12	2" TO 1/2" NPT	2"	1/2" NPT	32 mm
FTN 34	2" TO 3/4" NPT	2"	3/4" NPT	32 mm
FTN 01	2" TO 1" NPT	2"	1" NPT	32 mm
FTN 15	2" TO 1.5" NPT	2"	1.5" NPT	32 mm
FTN 02	2" TO 2" NPT	2"	2" NPT	40 mm

UANGYIH-TECH FLANGE SYSTEM

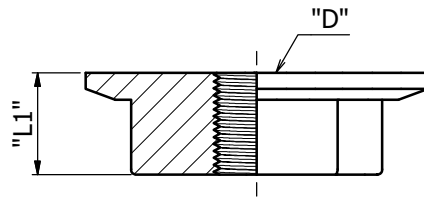
NPT Female Coupler Adapter

NOTES

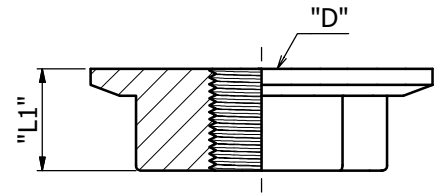
- PermaShield fluoropolymer barrier coating on inside flange faces.



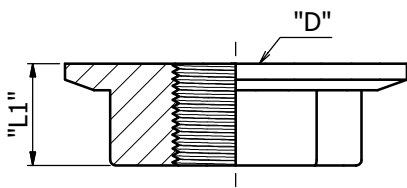
FTF 18



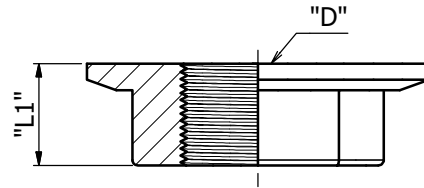
FTF 14



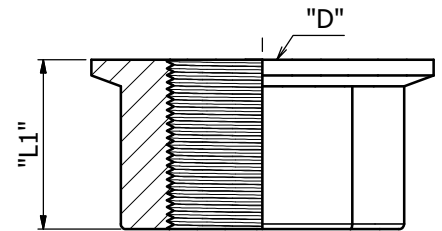
FTF 38



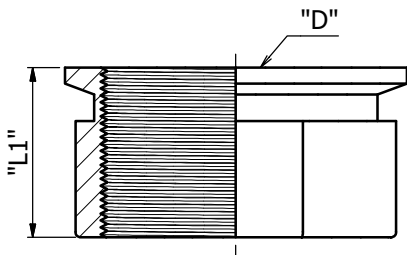
FTF 12



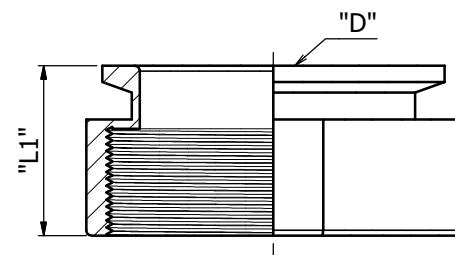
FTF 34



FTF 01



FTF 15



FTF 02

PART NO.	DESCRIPTION	"D"	PIPE THREAD	"L1"
FTF 18	2" TO 1/8" NPT	2"	1/8" NPT	19.05 mm
FTF 14	2" TO 1/4" NPT	2"	1/4" NPT	19.05 mm
FTF 38	2" TO 3/8" NPT	2"	3/8" NPT	19.05 mm
FTF 12	2" TO 1/2" NPT	2"	1/2" NPT	19.05 mm
FTF 34	2" TO 3/4" NPT	2"	3/4" NPT	19.05 mm
FTF 01	2" TO 1" NPT	2"	1" NPT	31.75 mm
FTF 15	2" TO 1.5" NPT	2"	1.5" NPT	31.75 mm
FTF 02	2" TO 2" NPT	2"	2" NPT	31.75 mm

Field Installed Saddle Tap Round type

NOTES

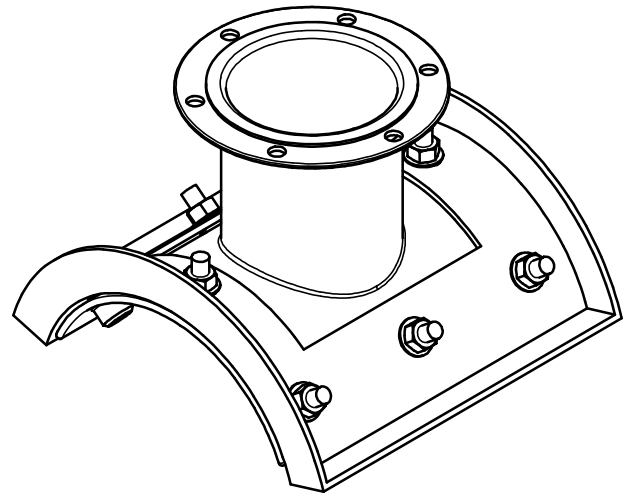
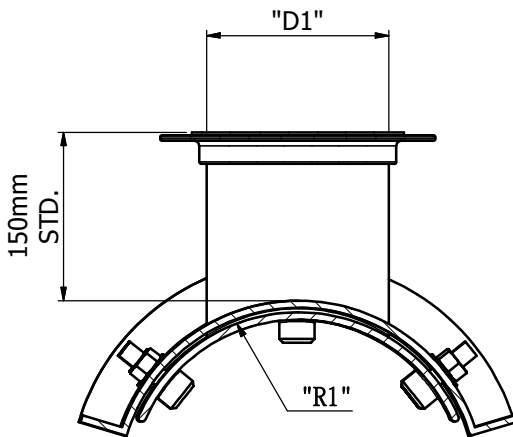
Straight tap standard - other tap styles available with engineering review and approval.

OPTIONS

PSP SADDLE

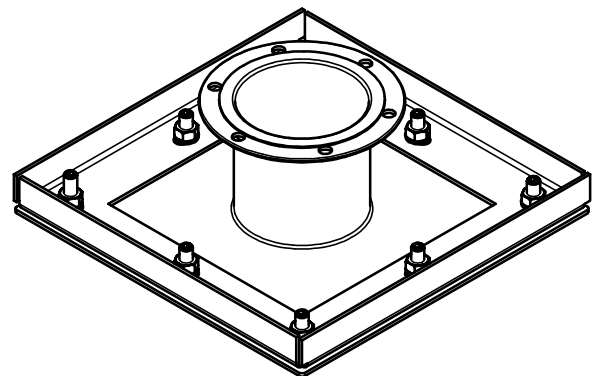
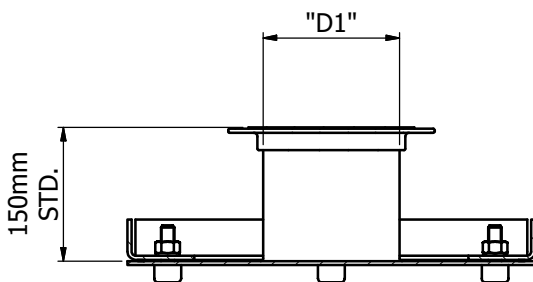
NOT COATED SADDLE

USE ROUND DUCT SADDLE



TYPE NO. RDSAT

USE RECTANGLE DUCT SADDLE



TYPE NO. RECSAT

Field Installed Saddle Tap Rectangle type

NOTES

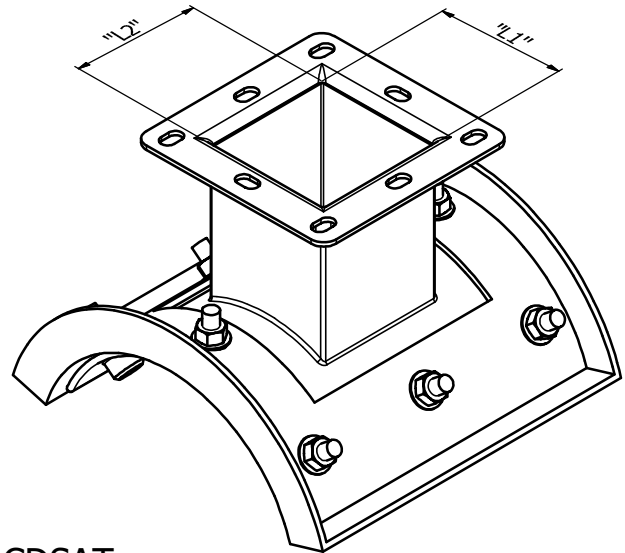
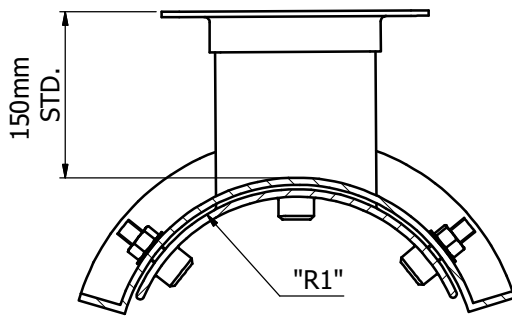
Straight tap standard - other tap styles available with engineering review and approval.

OPTIONS

PSP SADDLE

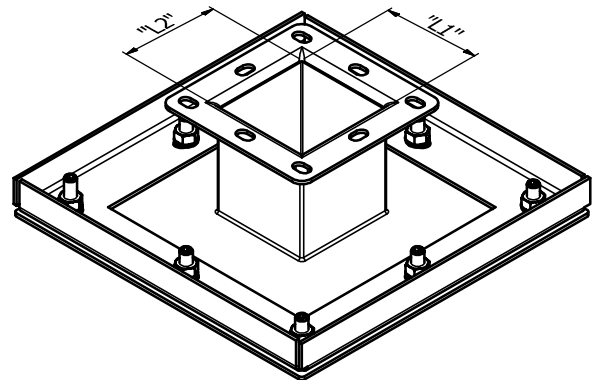
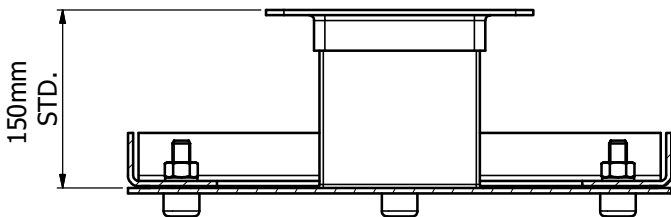
NOT COATED SADDLE

USE ROUND DUCT SADDLE



TYPE NO. RCDSAT

USE RECTANGLE DUCT SADDLE



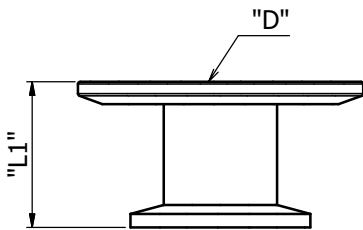
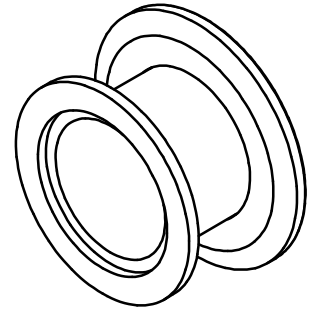
TYPE NO. RCECSAT

UANGYIH-TECH FLANGE SYSTEM

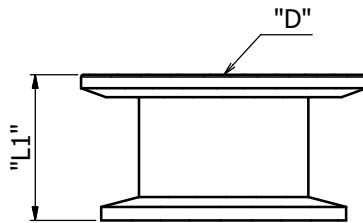
Uangyih-Tech Flange

NOTES

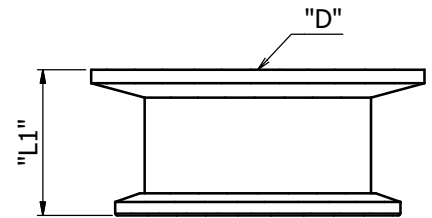
- PermaShield fluoropolymer barrier coating on inside surface and flange faces.
- KF Adapters are only available for 2" Uangyih-tech Flange connection.



KF 25



KF 40

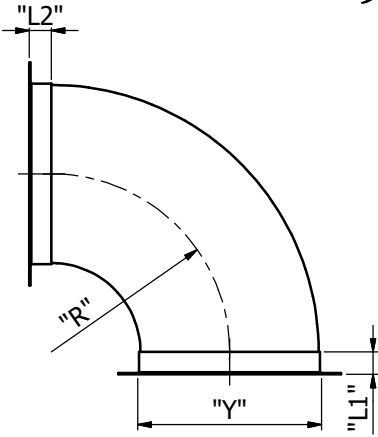


KF 50

PART NO.	DESCRIPTION	KF	"D"	"L1"
FTK25	2" TO 25 KF FLANGE	25 mm	2"	32.7 mm
FTK40	2" TO 40 KF FALNGE	40 mm	2"	32.7 mm
FTK50	2" TO 50 KF FLANEG	50 mm	2"	32.7 mm

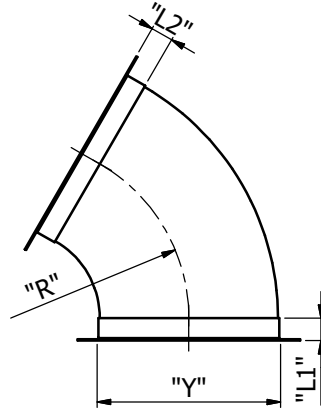
RECTANGULAR DUCT

90°, 60°, 45°, 30° or Custom Elbow



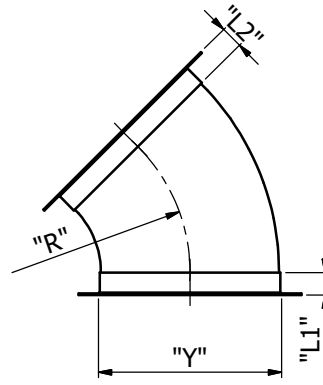
Type no. RECE9A

**90°RADIAL
ELBOW**



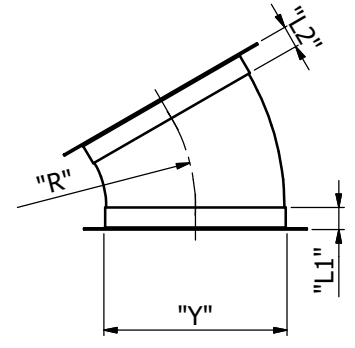
Type no. RECE6A

**60°RADIAL
ELBOW**



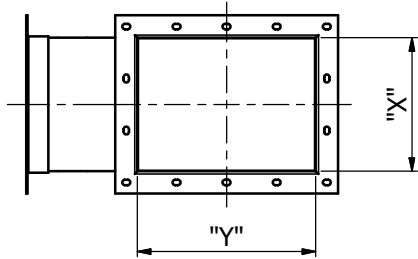
Type no. RECE4A

**45°RADIAL
ELBOW**



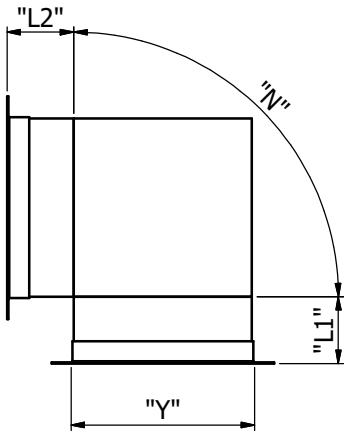
Type no. RECE3A

**30°RADIAL
ELBOW**



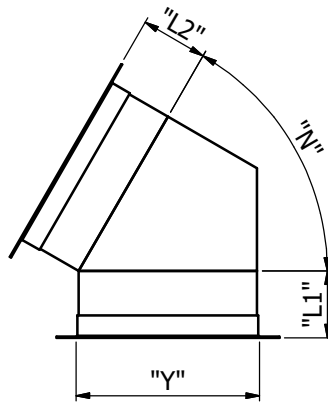
Uangyih-Tech Standard		
RECTANGLE	"L1"	"L2"
300-1750	50mm	50mm
1800 UP	65mm	65mm

90°, 60°, 45°, 30° or Custom Mitered Elbow



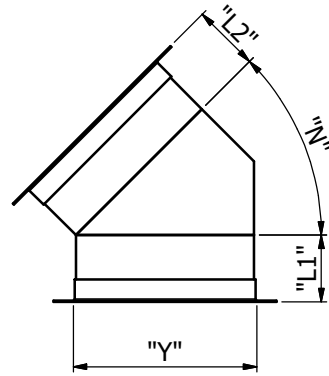
Type no. RECE9B

**90°MITERED
ELBOW**



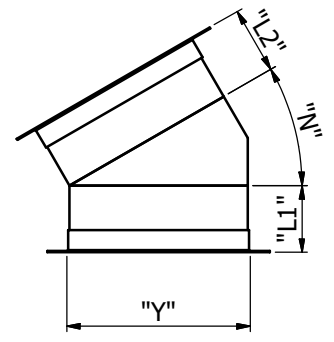
Type no. RECE6B

**60°MITERED
ELBOW**



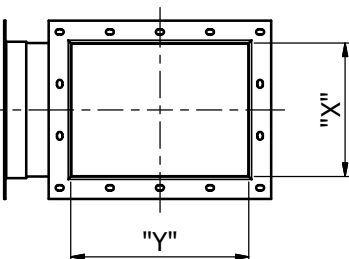
Type no. RECE4B

**45°MITERED
ELBOW**



Type no. RECE3B

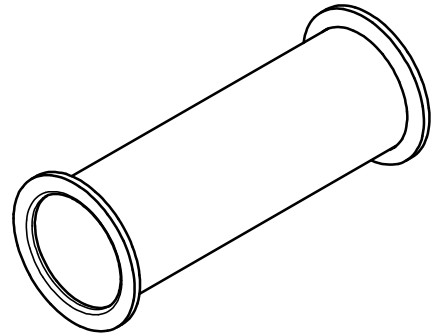
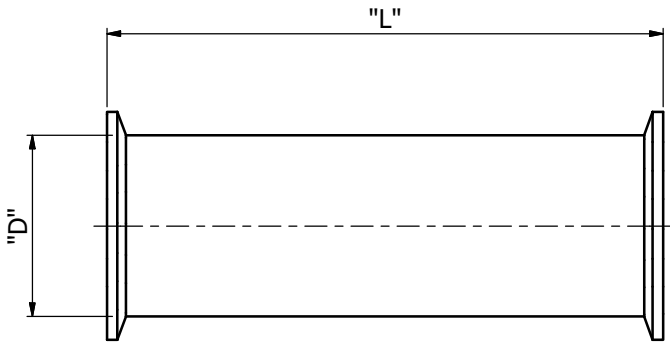
**30°MITERED
ELBOW**



Uangyig-Tech Standard		
RECTANGLE	"L1"	"L2"
ALL SIZE	150mm	150mm

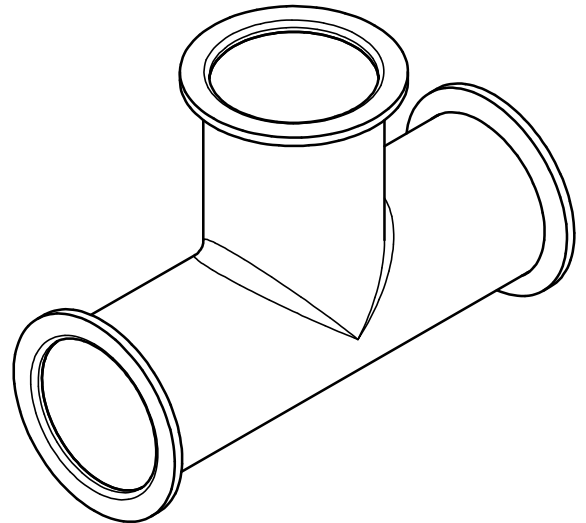
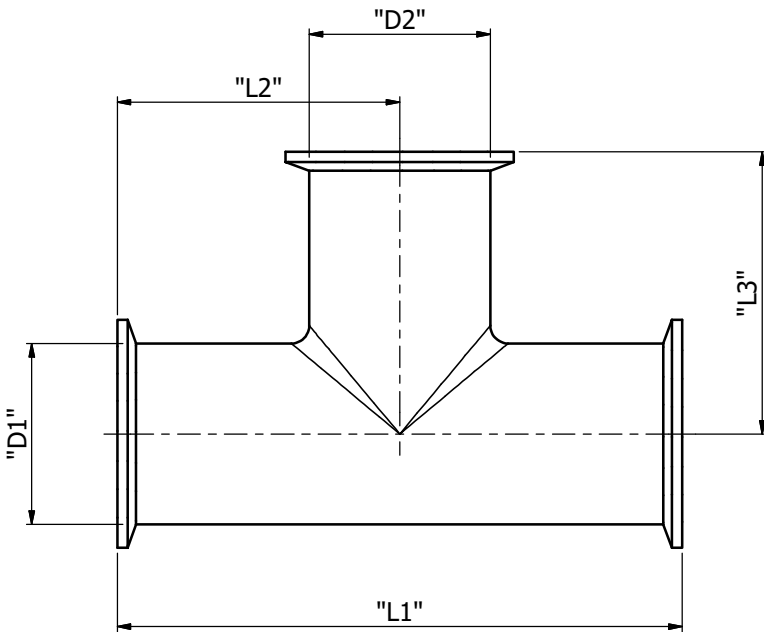
2" & 3" EZ FITTINGS

EZ STRAIGHT



PART NO.*	DESCRIPTION	"D"	"L"
PZP02	2" LINE	50.8	1200mm
PZS02	2" LINE CUSTOM LENGTH	50.8	CUSTOM
PZP03	3" LINE	76.2	1200mm
PZS03	3" LINE CUSTOM LENGTH	76.2	CUSTOM

EZ Tee

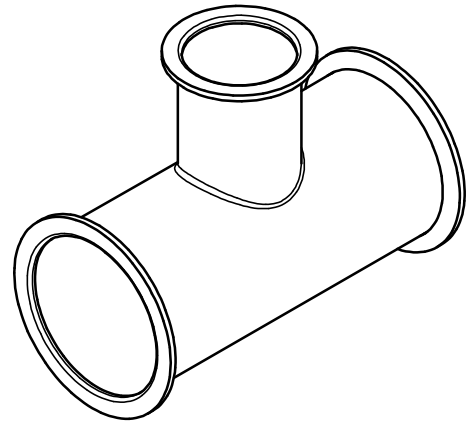
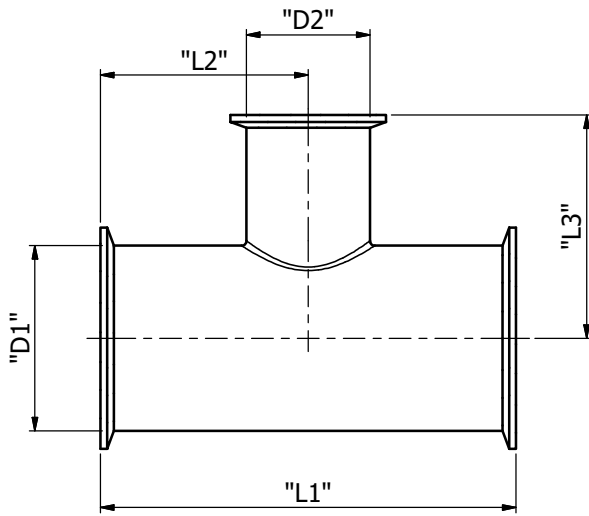


PART NO.*	DESCRIPTION	"D1"	"D2"	"L1"	"L2"	"L3"
02T02	2" LINE WITH 2" TEE	50.8	50.8	158.5	79.25	79.2
03T03	3" LINE WITH 3" TEE	76.2	76.2	171.2	85.6	85.6

REV:11/09/09

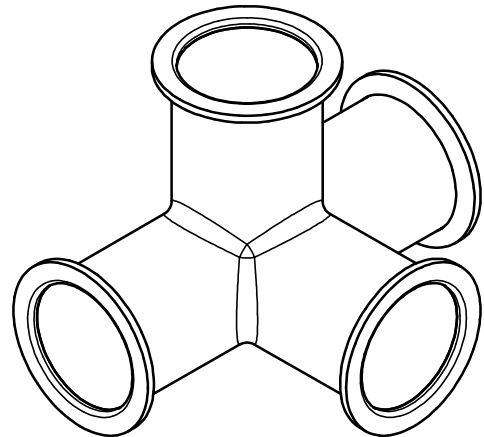
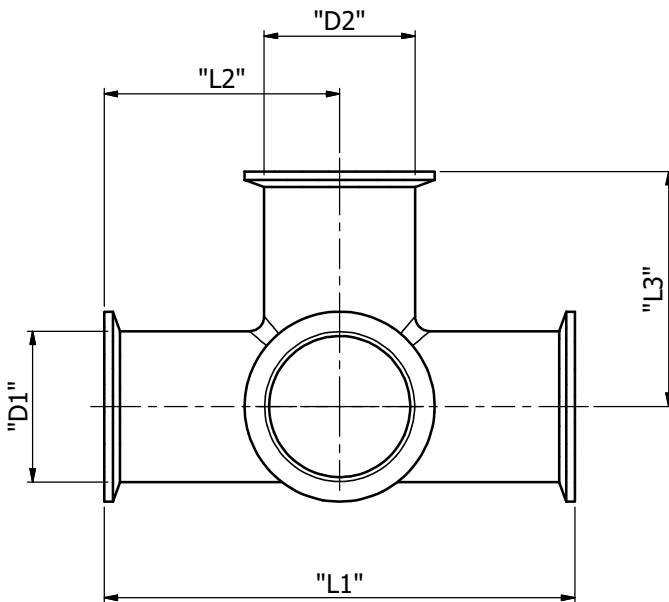
2" & 3" EZ FITTINGS

EZ Reducing Tee



PART NO.*	DESCRIPTION	"D1"	"D2"	"L1"	"L2"	"L3"
03T02	3" LINE WITH 2" TEE	76.2	50.8	171.1	85.55	91.9

EZ Double tee

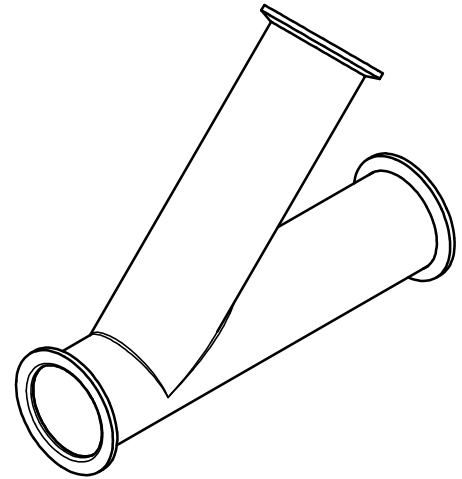
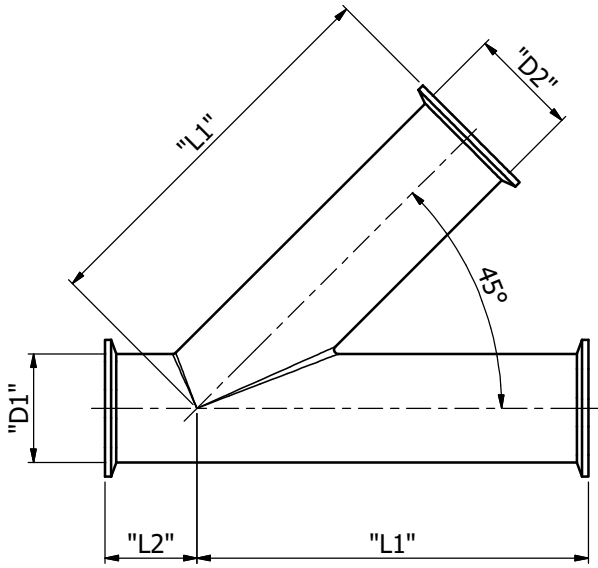


PART NO.*	DESCRIPTION	"D1"	"D2"	"L1"	"L2"	"L3"
2T2T2	2" LINE W/ DOUBLE 2" TEE	50.8	50.8	158.5	79.25	79.2
3T3T3	3" LINE W/ DOUBLE 3" TEE	76.2	76.2	171.2	85.6	85.6

REV:01/08/10

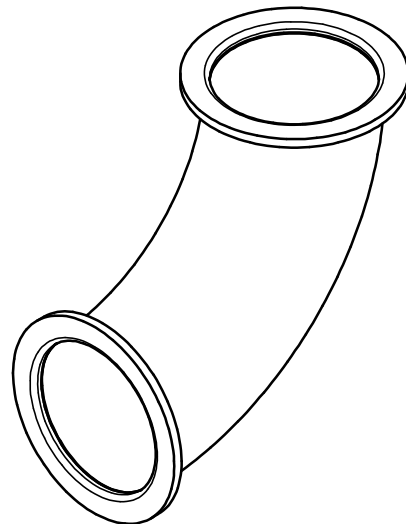
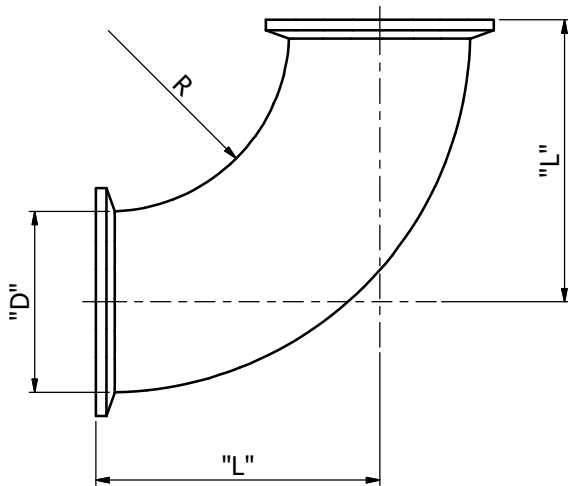
2" & 3" EZ FITTINGS

EZ Lateral



PART NO.*	DESCRIPTION	"D1"	"D2"	"L1"	"L2"
02Y02	2" LINE WITH 2" LATERAL	50.8	50.8	183	43
03Y03	3" LINE WITH 3" LATERAL	76.2	76.2	229	50

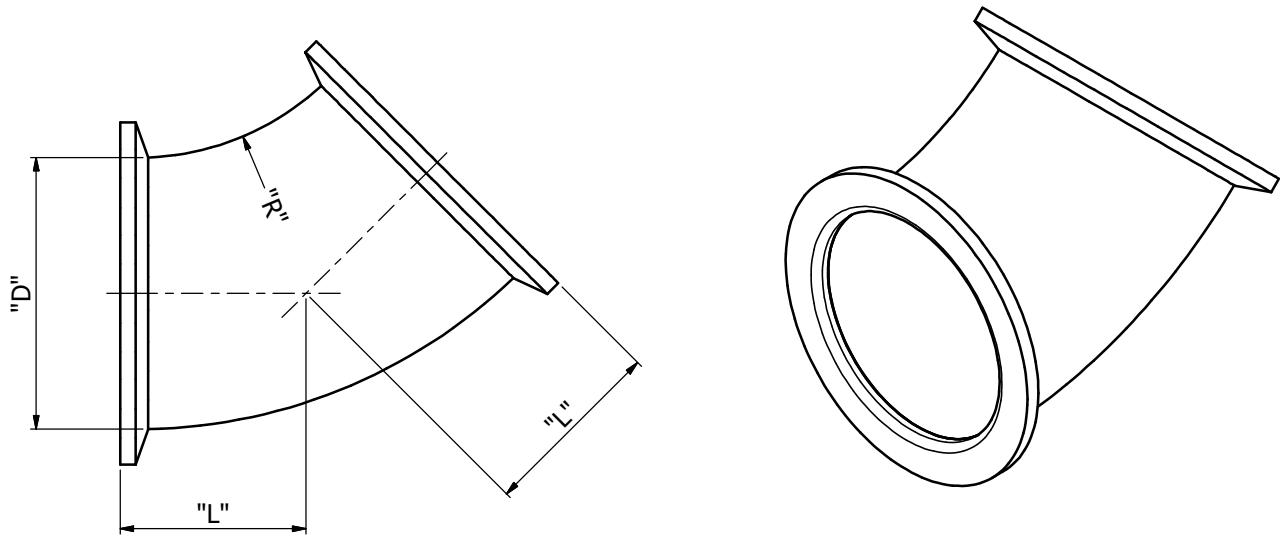
90° EZ Elbow



PART NO.*	DESCRIPTION	"D"	"L"	"R"
PZE02	2" 90° ELBOW	50.8	79.2	50.8
PZE03	3" 90° ELBOW	76.2	117.3	76.2

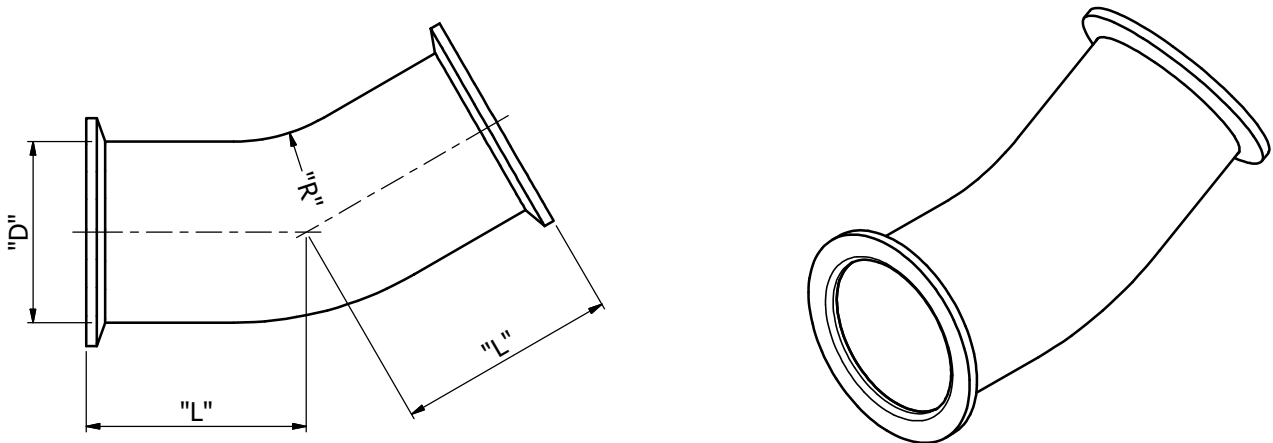
2" & 3" EZ FITTINGS

45° EZ Elbow



PART NO.*	DESCRIPTION	"D"	"L"	"R"
PZ502	2" 45° ELBOW	50.8	34.75	50.8
PZ503	3" 45° ELBOW	76.2	50.8	76.2

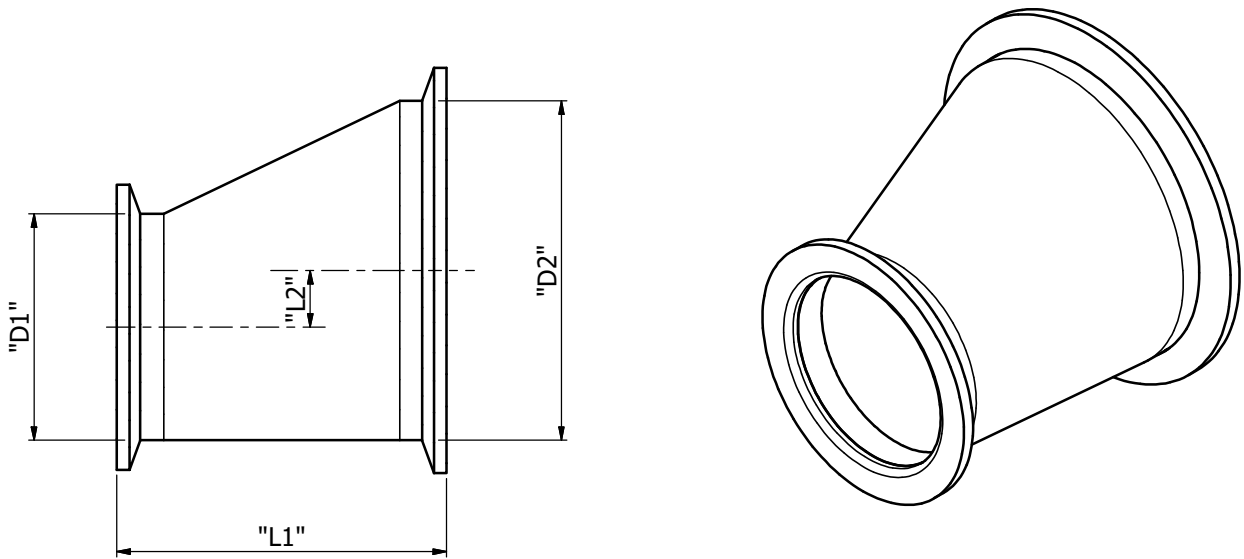
30° EZ Elbow



PART NO.*	DESCRIPTION	"D"	"L"	"R"
PZ302	2" 30° ELBOW	50.8	61.7	50.8
PZ303	3" 30° ELBOW	76.2	96.7	76.2

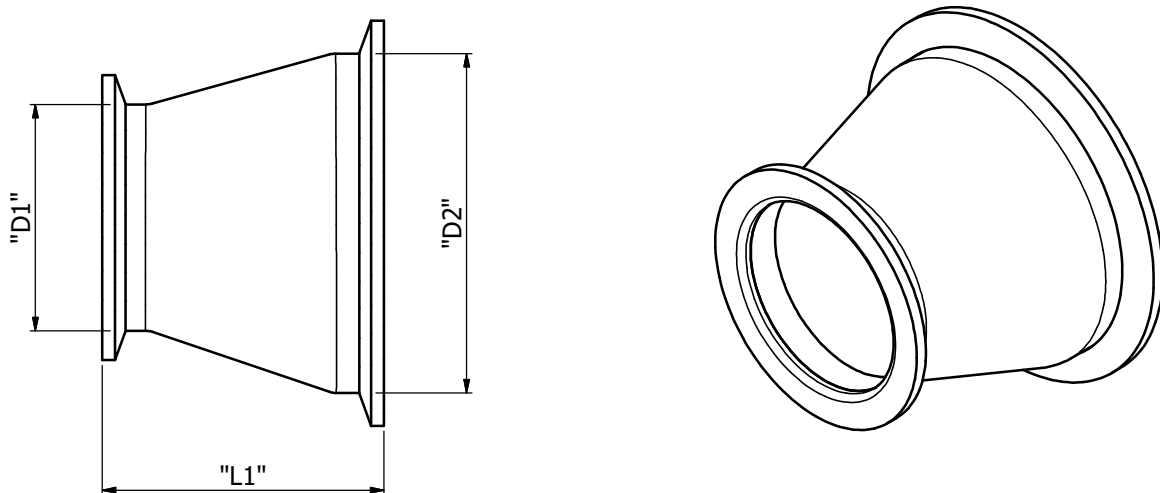
2" & 3" EZ FITTINGS

Eccentric EZ Reducer



PART NO.*	DESCRIPTION	"D1"	"D2"	"L1"	"L2"
PEA32F	2" TO 3" ECCENTRIC	50.8	76.2	74	12.7

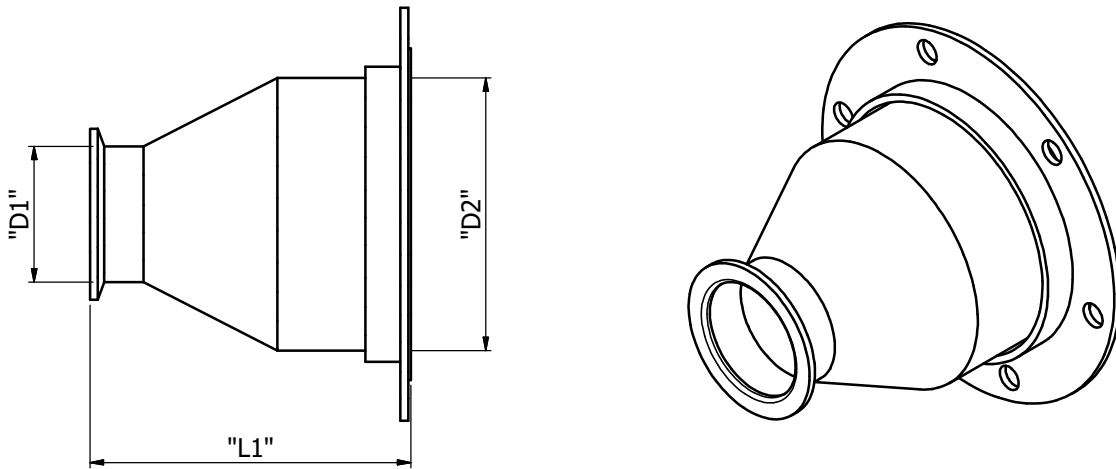
Concentric EZ Reducer



PART NO.*	DESCRIPTION	"D1"	"D2"	"L1"
PCA32F	2" TO 3" CONCENTRIC	50.8	76.2	63.2

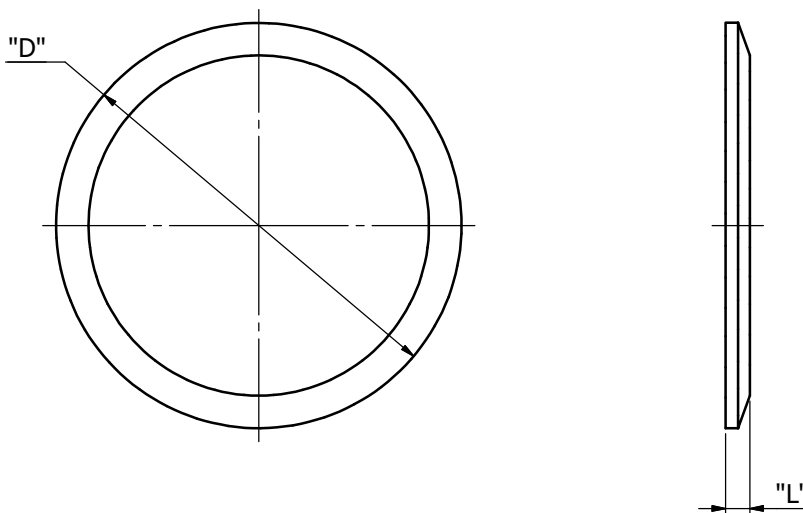
2" & 3" EZ FITTINGS

Angle Ring to EZ Reducer



PART NO.*	DESCRIPTION	"D1"	"D2"	"L1"
PCA42R	2" TO 4" ANGLE RING	50.8	102	120
PCA43R	3" TO 4" ANGLE RING	76.2	102	120

EZ End Cap



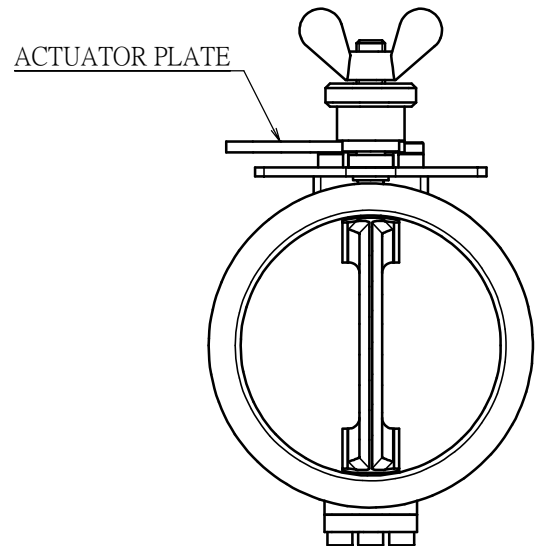
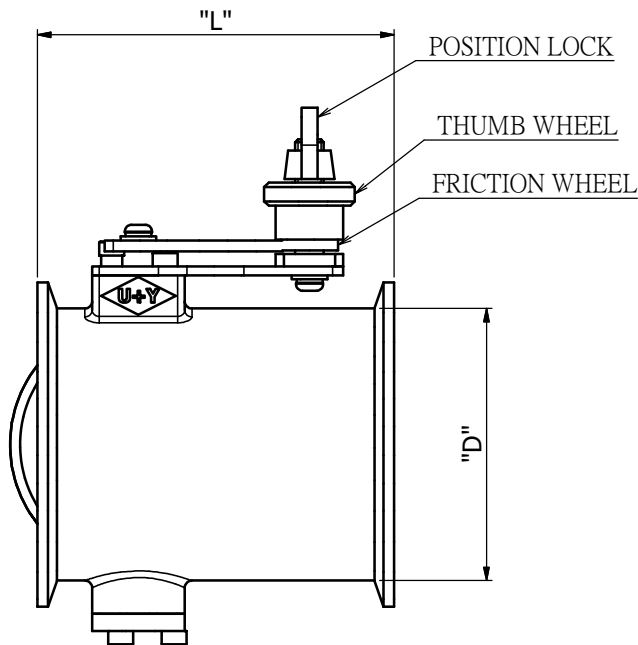
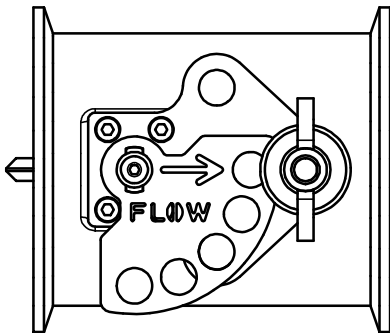
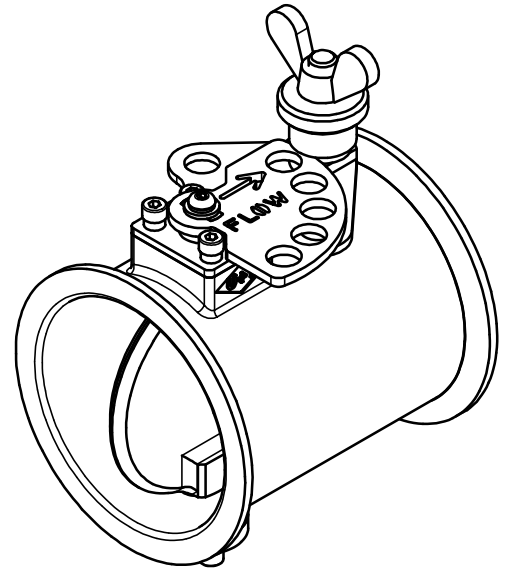
PART NO.*	DESCRIPTION	"D"	"L"
PZC02	2" END CAP	64	5.5
PZC03	3" END CAP	91	5.5

REV:01/08/10

2" & 3" EZ FITTINGS

Micro-Adjustable EZ Damper

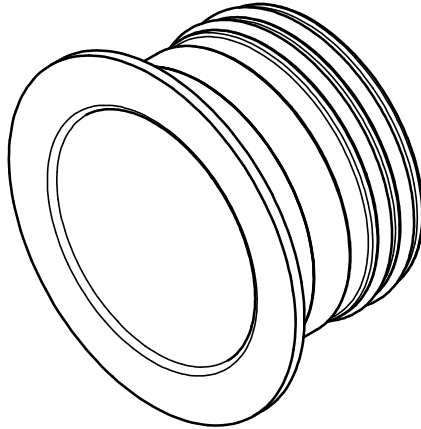
PART NO.*	DESCRIPTION	"D"	"L"
PZD02	2" EZ-DAMPER	50.8	100
PZD03	3" EZ-DAMPER	76.2	100



REV:01/08/10

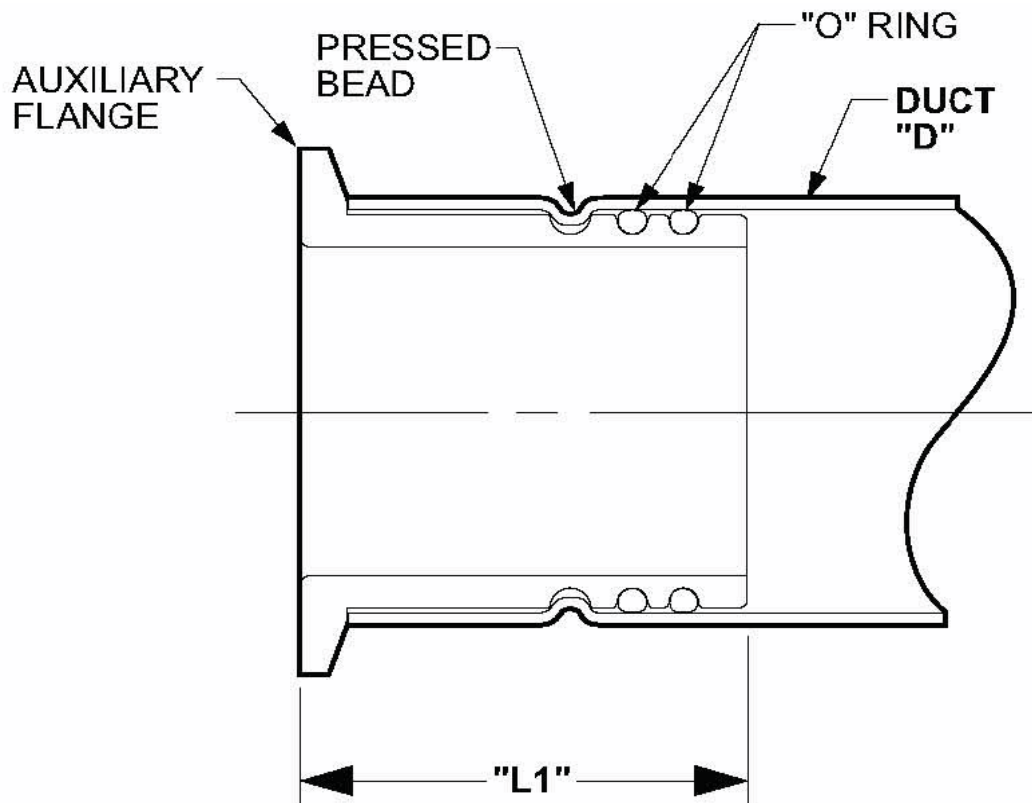
2" & 3" EZ FITTINGS

Field Installed Straight Duct EZ Flange



PART NO.*	DESCRIPTION	"D"	"L"
HTB02	2" FIELD FLANGE	2"	50 mm
HTB03	3" FIELD FLANGE	3"	50 mm

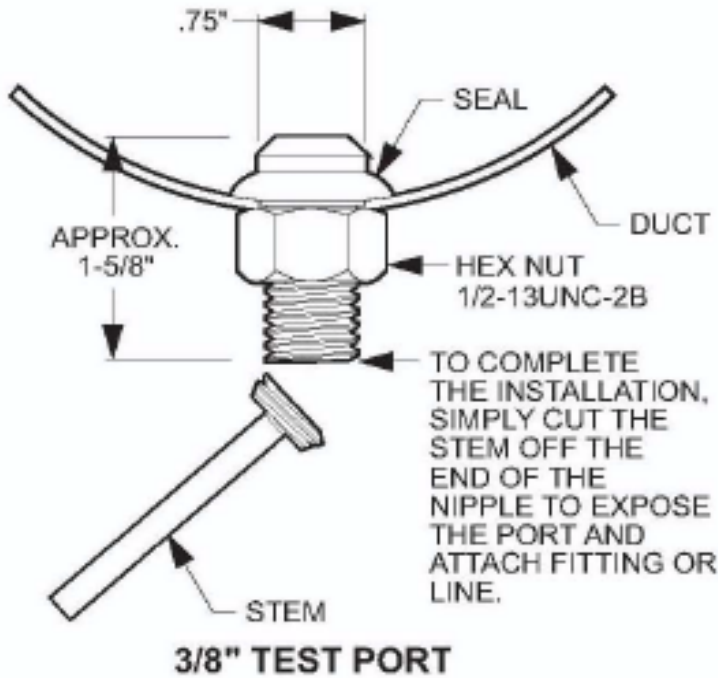
REPLACEMENT FLANGE FOR 2" & 3" STRAIGHT DUCT MODIFIED
OR CUT TO LENGTH IN THE FIELD
REFER TO INSTALLATION AND ASSEMBLY GUIDE



REV:01/08/10

ACCESSORIES

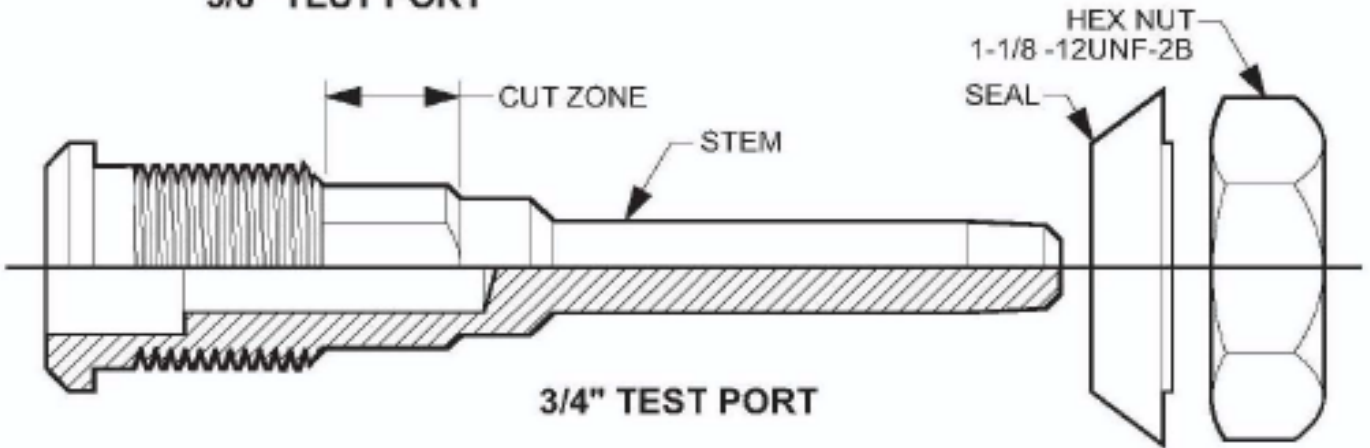
Field Installed Straight Test Port



SPECIFICATIONS

- Nipple made of pure PVDF, seal made of Viton®
- Stainless steel hex nut
- Able to redrill through hole to slightly larger hole or drill and tap test port for female threads
- Installs in duct as small as 2" diameter - provides liquid tight seal - does not compromise the integrity of the duct interior coating

PATENT PENDING



PART NO.*	DESCRIPTION	MIN. HOST DUCT	THRU HO	REDRILL	TAP
FTFI38TP	3/8" TEST PORT	2" DIA. DUCT MIN.	1/4" DIA.	3/8" MAX	7/16" MAX
FTFI34TP	3/4" TEST PORT	6" DIA. DUCT MIN.	1/2" DIA.	3/4" MAX	9/16" MAX

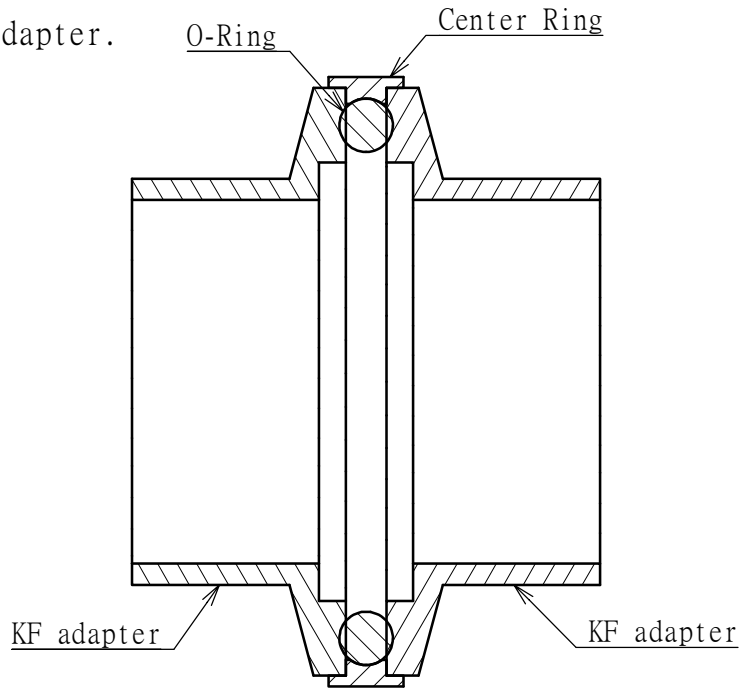
REV:01/08/10

ACCESSORIES

KF CENTER RING

NOTES:

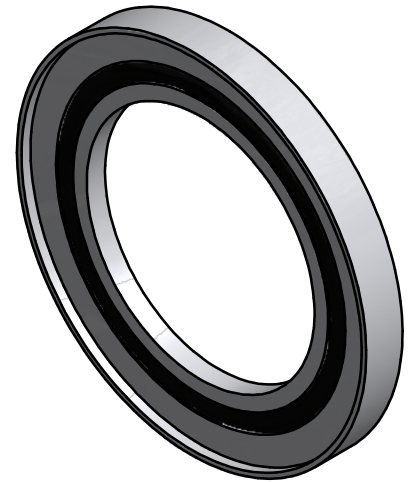
- Center ring material is PTFE.
- O-Ring material is Viton.
- Use KF clamp join adapter.



CR25



CR40



CR50

PART NO.	DESCRIPTION
CR25	KF25 CENTER RING
CR40	KF40 CENTER RING
CR50	KF50 CENTER RING